



NEON
strip

ADDRESS

Keying Rd, Guangzhou Sci-Tech Industry Park,
Baiyun District, Guangzhou, China.

NEW FACTORY ADDRESS:

Building 12, Liandong U Valley, Guangqing Industrial Park,
Shijiao Town, Qingcheng District, Qingyuan City, Guangdong, China

CONTACT

Tel: +86 15920391130 Email: info@mylikeled.com Web: www.mylikeled.com

2024

CATALOGUE

NEON
strip

SINCE 1996

Who Are We ?

27 **Trusted brand for more than 25 years**
 Since 1996, we have been deeply involved in the LED industry, The rich experience has made us to be a reliable brand.

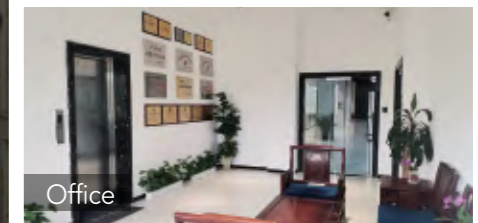
Manufacture Base
 Self built factory, stable production, good quality, strong production capacity and delivery capacity.

Certification System
 Passed through ISO9001 quality system certification, ISO14001 environmental system certification and product certification of mainstream markets.

Independent R&D
 Adhere to the business philosophy of independent research & development and intellectual property management.

Customized service
 Customize product appearance, functions and packaging to fit different needs for customers

Global Market
 Products are sold to more than 60 countries and regions all over the world. Dominates the European market and cooperates with many major brands.



MISSION

Make light and space integrate perfectly by means of technology and innovation.

VISION

Become an innovative lighting enterprise with a global reach.

VALUES

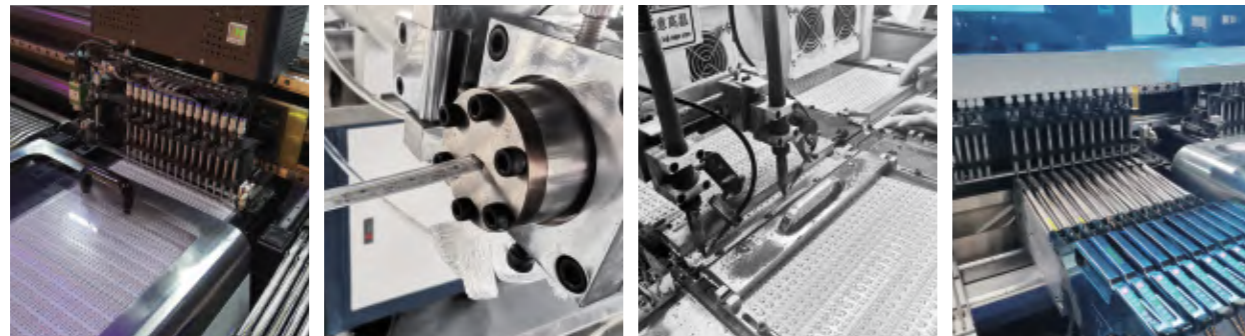
- Customer-centric
- Striver-oriented
- Simplicity is on account of trust
- Embrace change for continuous improvement

BRAND POSITION

LED Linear Lighting Solution Provider

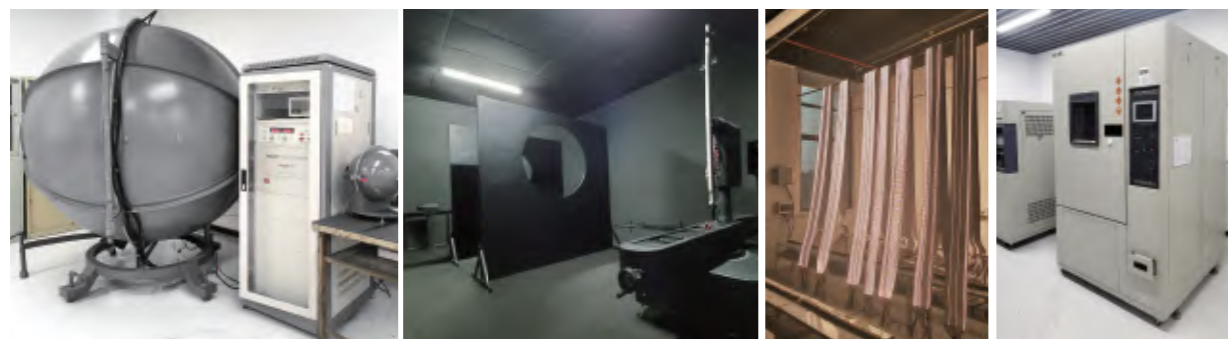
PRODUCT CONCEPT

Simplification, Consumerism



Production Equipment & Process

We have more than 30 high speed automatic encapsulation pipelines and 15 automatic mounting and applied welding pipelines, characterizing complete LED strip production processes, such as LED encapsulation, high speed SMT, automatic welding, and full series of waterproof line, Set up new modern luminaries manufacturing factories so as to realize a whole chain of production processes including precision machining, automatic assembly, color spraying and free customization, with average monthly production capacity of 1.2 million meter, in order to deliver high-quality and cost-effective products to customers.









Labs & Testing Equipment

We upgrades labs, forges professional teams and establishes entire test & detection systems, covering validate requirements of LED strip, neon strip, luminaire and power supply. Equipments like raw material inspecting, safety, EMC, IP waterproof, IK impact, electrical properties of photoelectric, product reliability, packing reliability and other testing requirements, so as to verify and guarantee the reliable quality of the company's products.


CERTIFICATION | **ILL & LNLED**



Light Source testing

-  **Color parameters**
Chromaticity coordinate, color rendering index
-  **Photo parameters**
Luminous flux, efficiency
-  **Electrical parameters**
Power, current, voltage
-  **Test Standards**
It is tested according to GB/T16491
-  **Sample Quantity**
1m
-  **Qualification Criteria**
To determine according to the corresponding technical requirements of the product.

* For detail testing reports, please contact our sales person.




Temperature & Humidity

Test Condition
High temperature 80°C/humidity 85% 4H, normal temperature 20°C 30 minutes/low temperature -40°C 4H, continuous cycle, and the rated operating voltage is switched once every one hour.

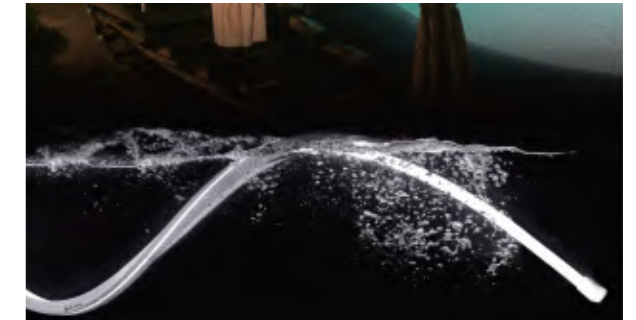
Test Time / Sample Quantity
360 hours , 1m

Test Result
No dead light, no cracking, no embrittlement or other damage.



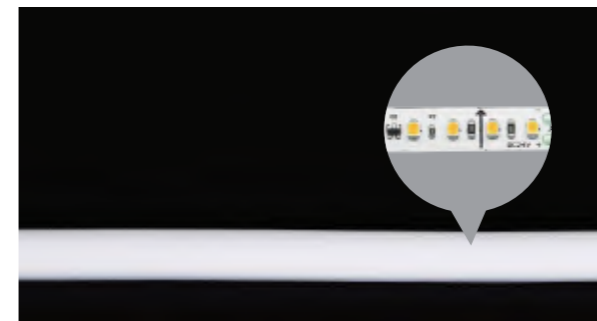

LONG OPERATIONAL LENGTH

Our DC LED light can be 5m even can span for lengths up to 30m [98.4 ft] in double feed (some models).



PERFECT FOR OUTDOOR

☔ IP67 protect against dust, water, and condensation in outdoor operation.
☀️ UV resistance makes it protect from harsh sunlight.



LED LIGHT SOURCE

Saturated, homogeneous linear LED strip light as light source inside for the look of neon with more energy saving and longer lifespan.



MAKE IT COLORFUL

There are transparent sleeve, milky white sleeve and color sleeve to choose from



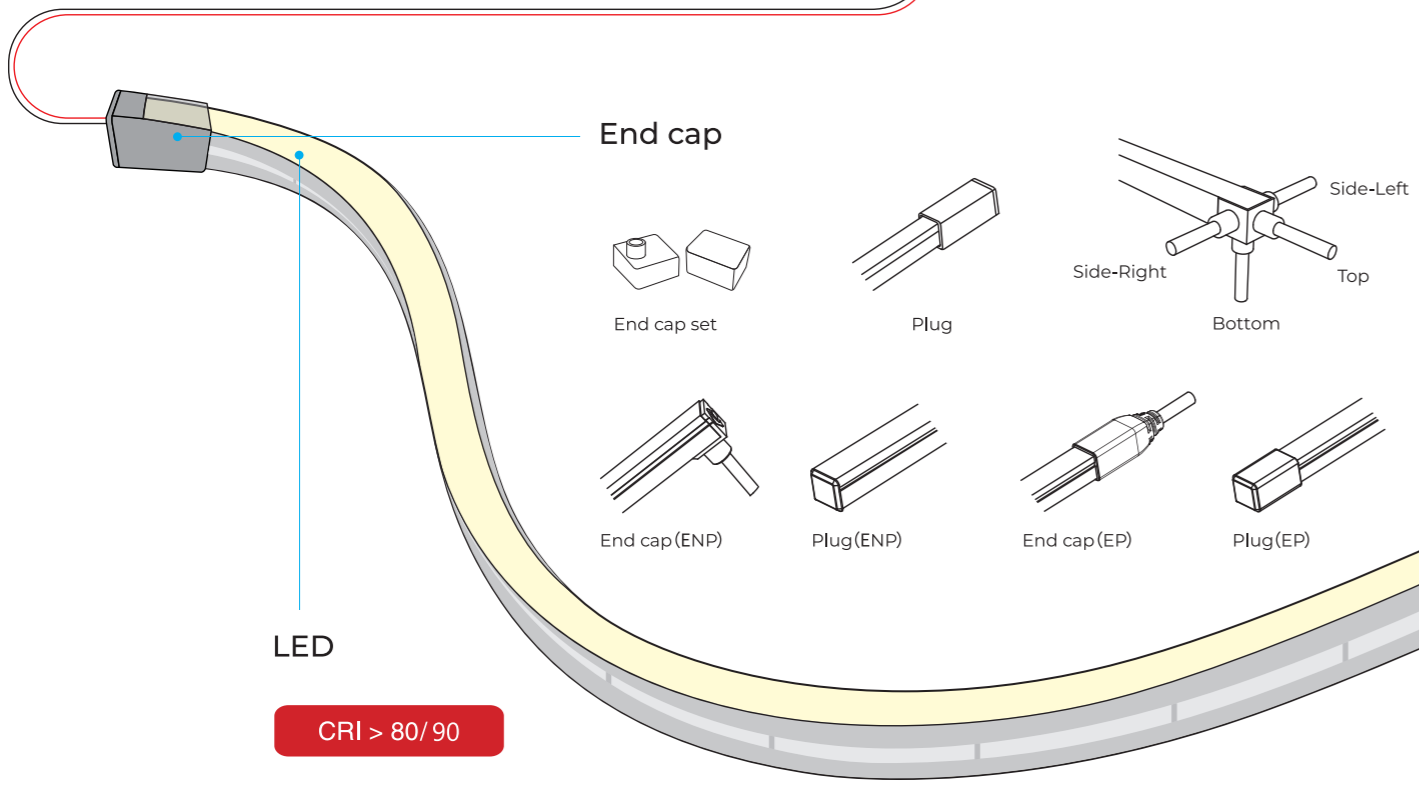
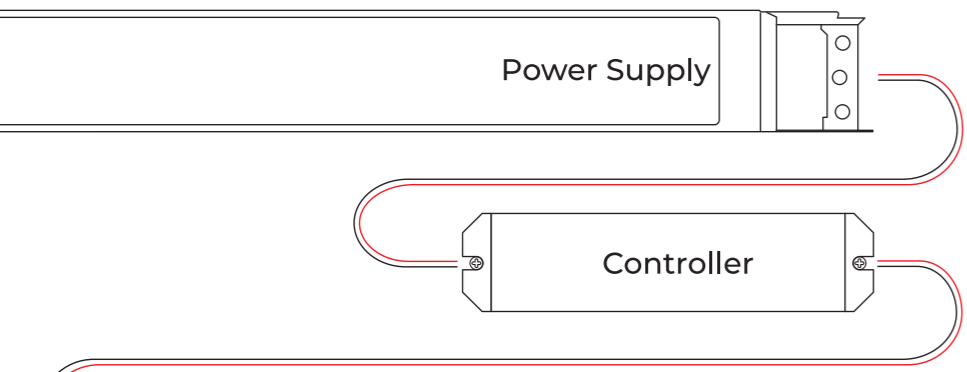
EASY TO INSTALL

Mounting clip accessories available to increase the versatility of the system.



LOW TEMPERATURE RESISTANCE

Colloid under the conditions of -40 C with no significant changes in colloidal characteristics



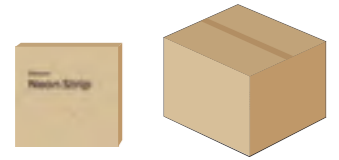
- End cap
- End cap set
- Plug
- Side-Left
- Side-Right
- Top
- Bottom
- End cap(ENP)
- Plug(ENP)
- End cap(EP)
- Plug(EP)

LED

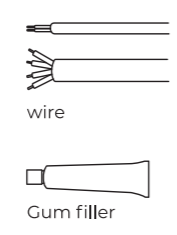
CRI > 80/90



Package



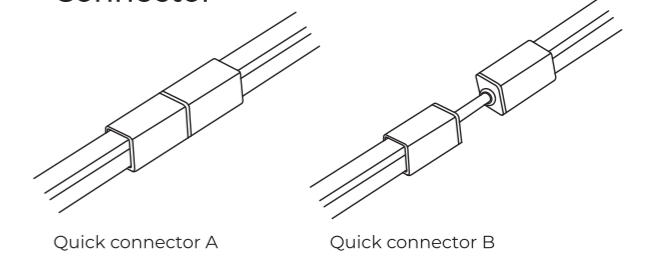
Wire & Gum filler



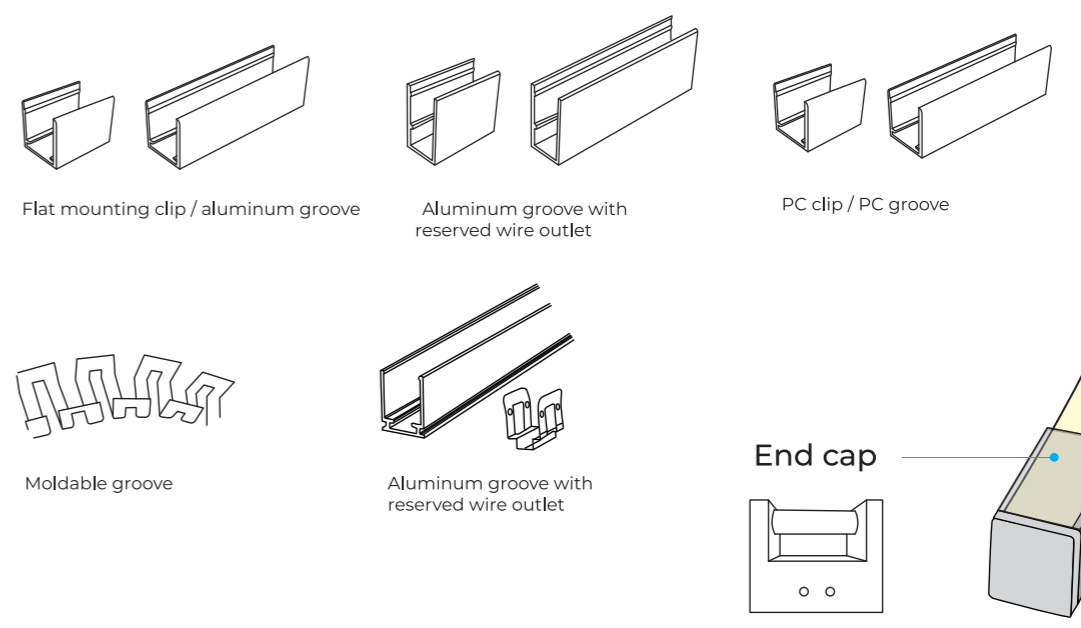
Cutting line



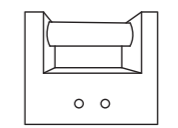
Connector



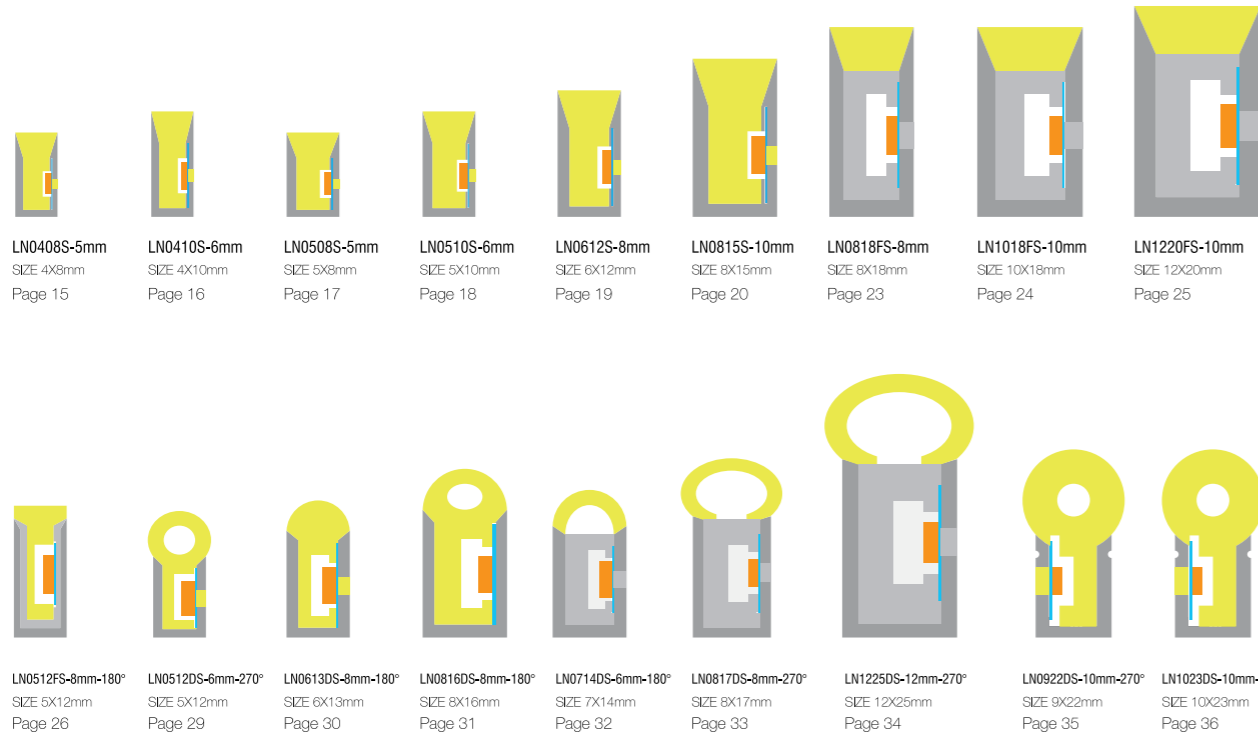
Installation Accessories



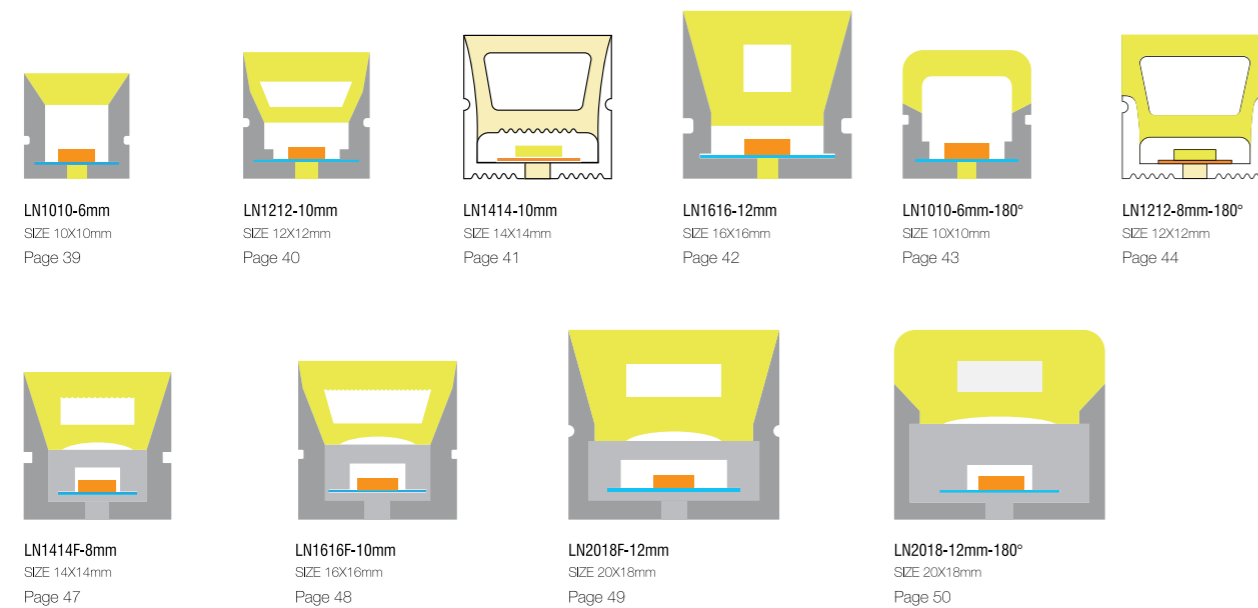
End cap



SIDE VIEW SERIES

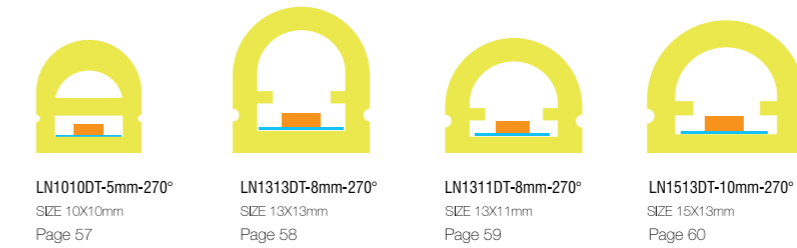


TOP VIEW SERIES

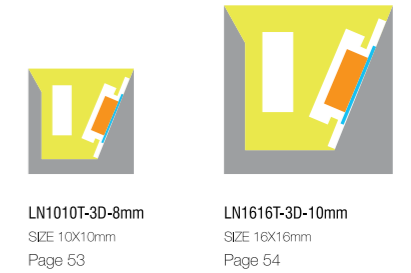


QUICK GUIDE | ALL & LNLED®

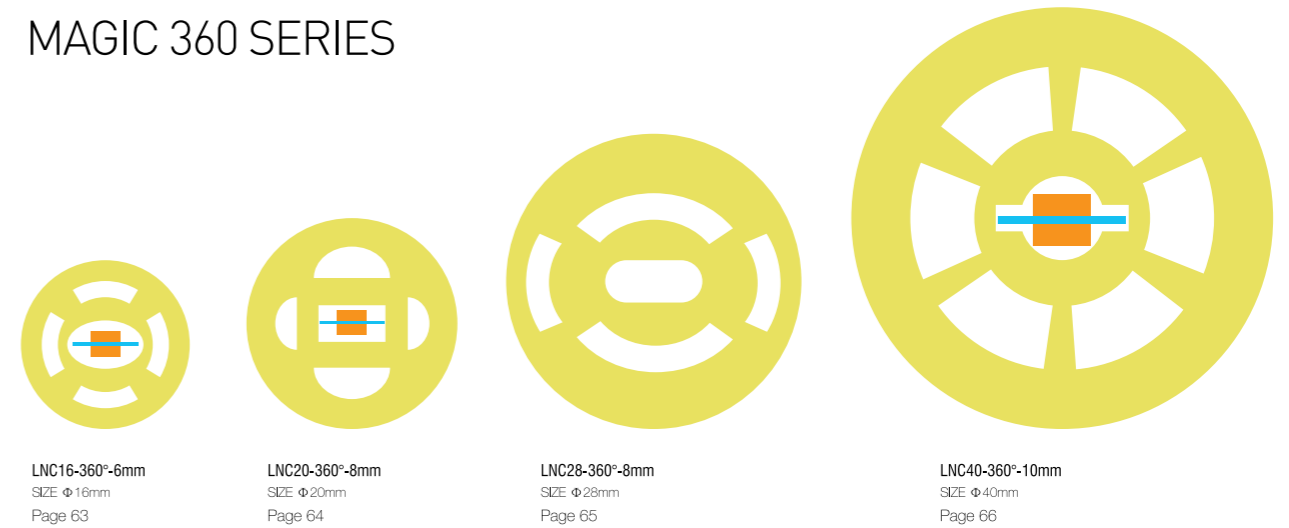
270° FULL VIEW SERIES



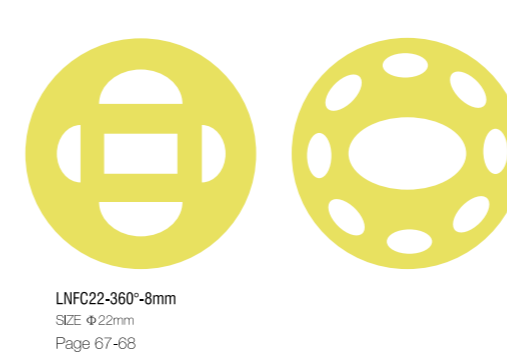
3D BEND SERIES



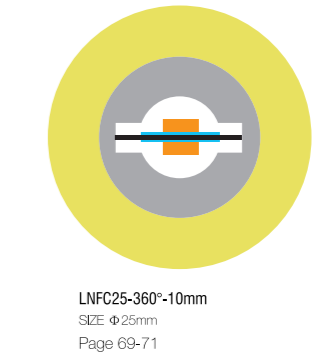
MAGIC 360 SERIES



FABRIC 360 SERIES



POSE-ABLE 360



SIDE VIEW

LED NEON

UV Resistant

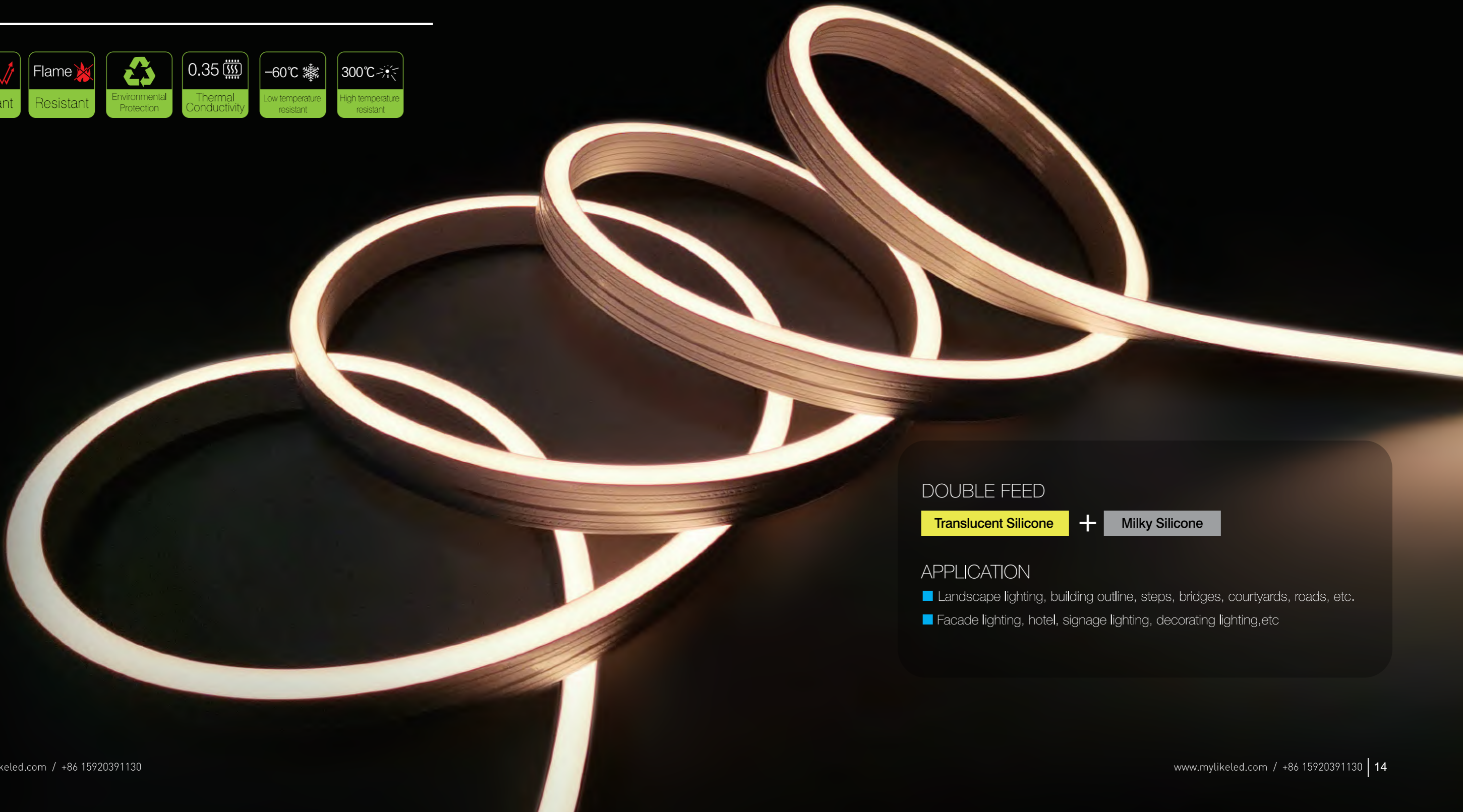
Flame Resistant

Environmental Protection

0.35 Thermal Conductivity

-60°C Low temperature resistant

300°C High temperature resistant



DOUBLE FEED

Translucent Silicone + Milky Silicone

APPLICATION

- Landscape lighting, building outline, steps, bridges, courtyards, roads, etc.
- Facade lighting, hotel, signage lighting, decorating lighting, etc

LED NEON

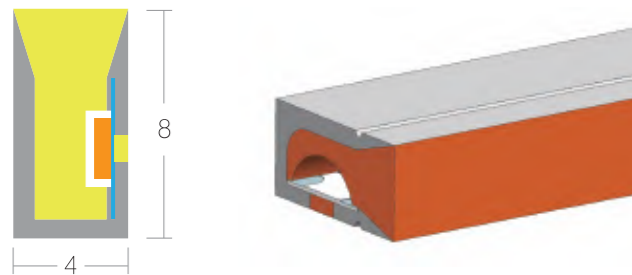
SIDE VIEW SERIES

LN0408S-5mm



Side Cut Structure

Basic Parameters



PCB width 5mm

Strip length	Max. 50M
PCB width	5mm
Input voltage	DC 5V/12V/24V
IP rate	IP67
Beam angle	120°
Bend radius	>20mm
Section size(mm)	4 x 8mm
Storage temperature	-20°C~60°C

Product Accessories



LED NEON

SIDE VIEW SERIES

LN0410S-6mm



Side Cut Structure

Basic Parameters



PCB width 6mm

Strip length	Max. 50M
PCB width	6mm
Input voltage	DC 5V/12V/24V
IP rate	IP67
Beam angle	120°
Bend radius	>20mm
Section size(mm)	4 x 10mm
Storage temperature	-20°C~60°C

Product Accessories



LED NEON

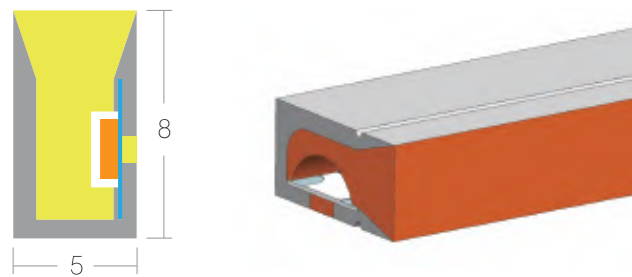
SIDE VIEW SERIES

LN0508S-5mm



Side Cut Structure

Basic Parameters



PCB width 5mm

Strip length	Max. 50M
PCB width	5mm
Input voltage	DC 5V/12V/24V
IP rate	IP67
Beam angle	120°
Bend radius	>25mm
Section size(mm)	5 x 8mm
Storage temperature	-20°C~60°C

Product Accessories



LED NEON

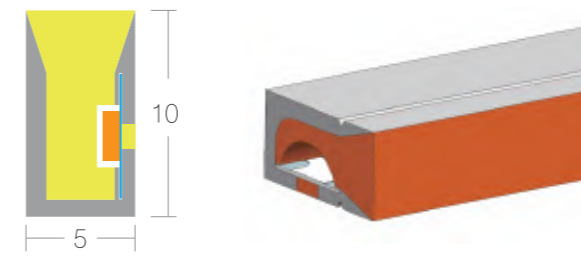
SIDE VIEW SERIES

LN0510S-6mm



Side Cut Structure

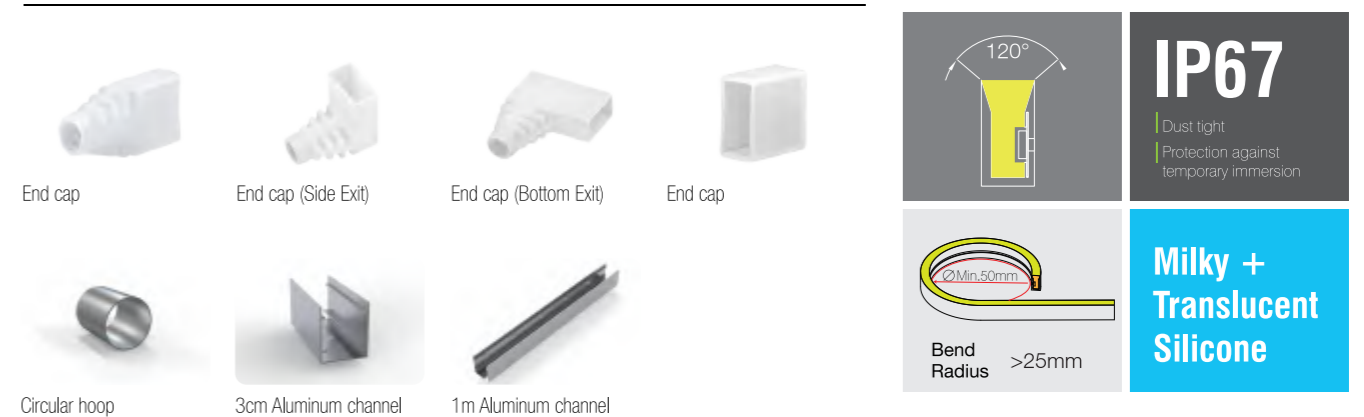
Basic Parameters



PCB width 6mm

Strip length	Max. 50M
PCB width	6mm
Input voltage	DC 5V/12V/24V
IP rate	IP67
Beam angle	120°
Bend radius	>25mm
Section size(mm)	5 x 10mm
Storage temperature	-20°C~60°C

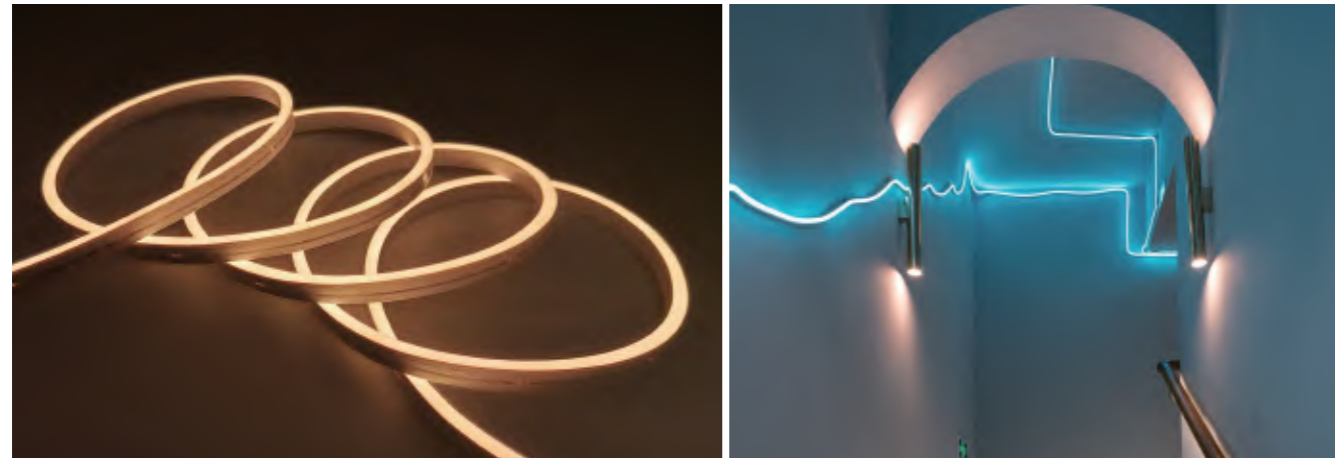
Product Accessories



LED NEON

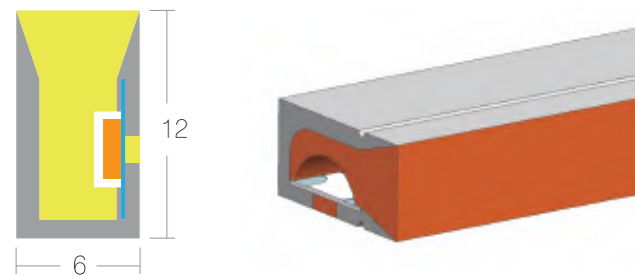
SIDE VIEW SERIES

LN0612S-8mm



Side Cut Structure

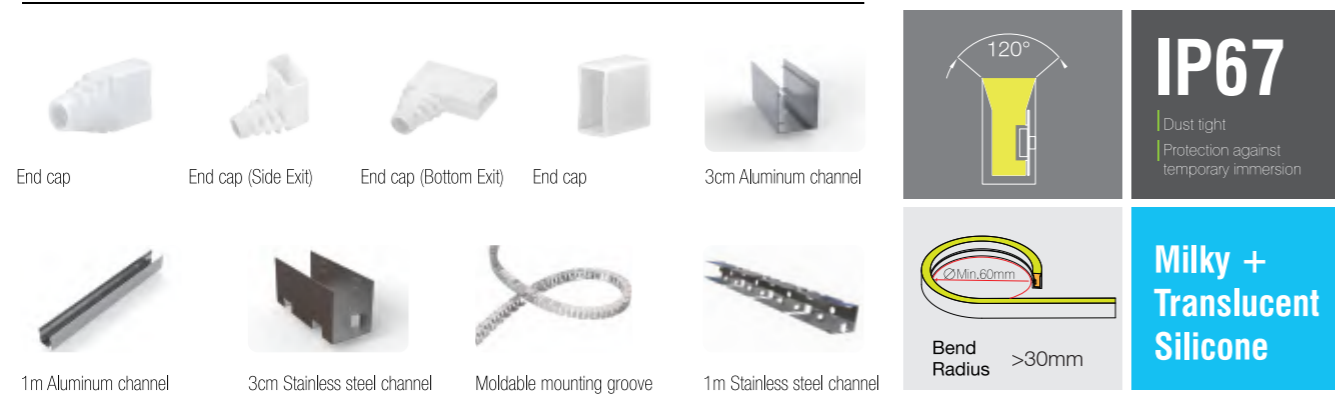
Basic Parameters



PCB width 8mm

Strip length	Max. 50M
PCB width	8mm
Input voltage	DC 5V/12V/24V/48V
IP rate	IP67
Beam angle	120°
Bend radius	>30mm
Section size(mm)	6 x 12mm
Storage temperature	-20°C~60°C

Product Accessories



LED NEON

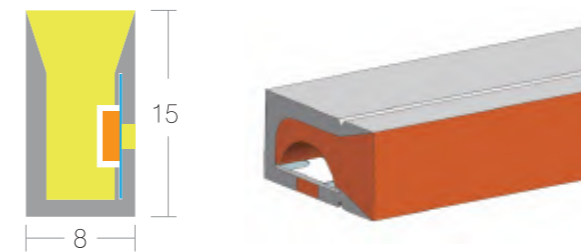
SIDE VIEW SERIES

LN0815S-10mm



Side Cut Structure

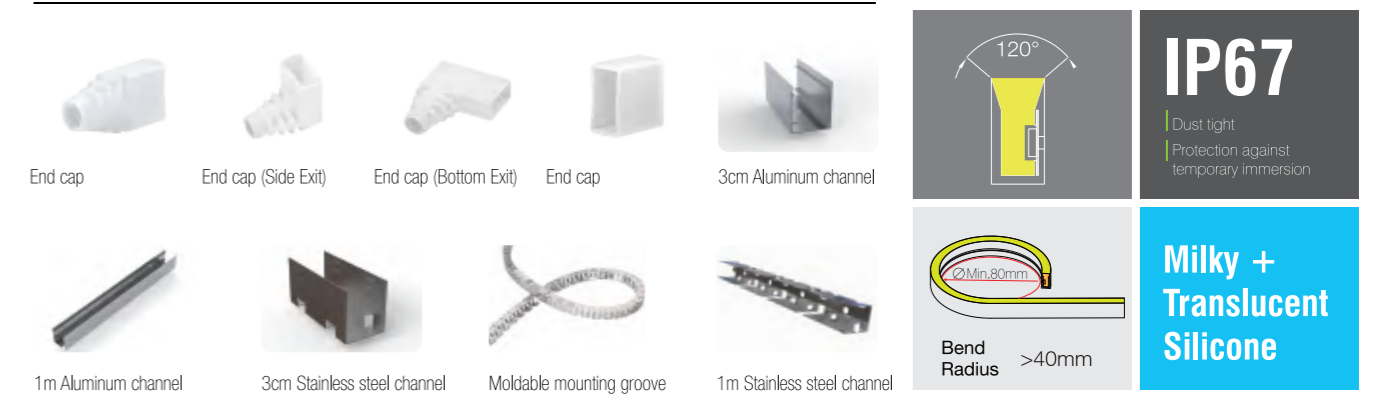
Basic Parameters



PCB width 10mm

Strip length	Max. 50M
PCB width	10mm
Input voltage	DC 5V/12V/24V
IP rate	IP67
Beam angle	120°
Bend radius	>40mm
Section size(mm)	8 x 15mm
Storage temperature	-20°C~60°C

Product Accessories



SIDE VIEW

LED NEON

UV Resistant

Flame Resistant

Environmental Protection

0.35 Thermal Conductivity

-60°C Low temperature resistant

300°C High temperature resistant



THREE FEED

Translucent Silicone + Milky Silicone + Transparent Silicone

APPLICATION

- Landscape lighting, building outline, steps, bridges, courtyards, roads, etc.
- Facade lighting, hotel, signage lighting, decorating lighting, etc.

LED NEON

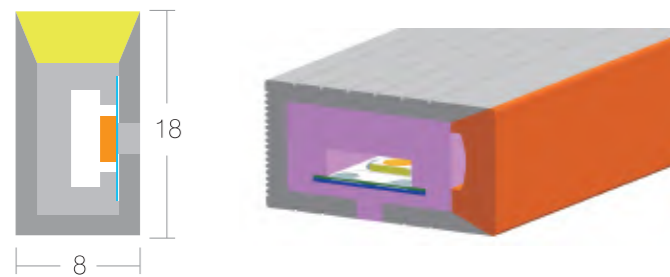
SIDE VIEW SERIES

LN0818FS-10mm



Side Cut Structure

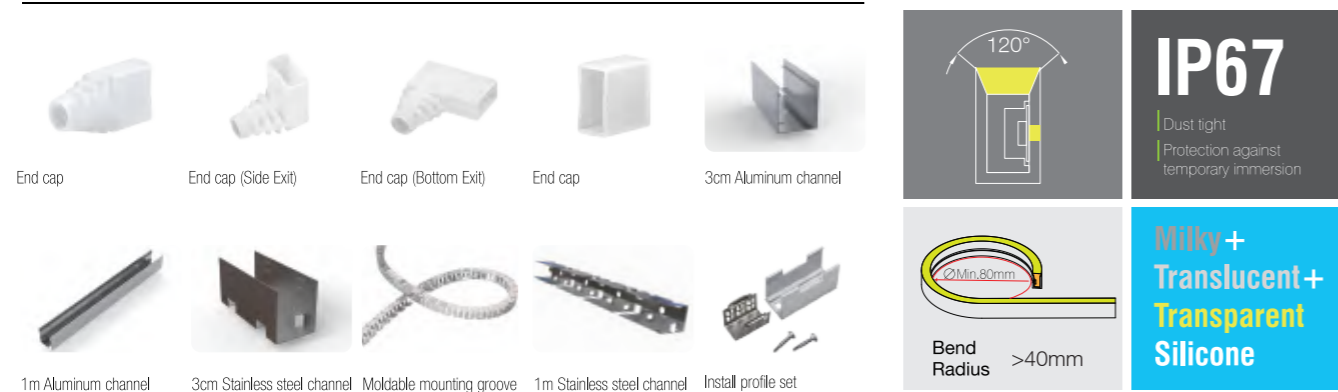
Basic Parameters



PCB width 10mm

Strip length	Max. 50M
PCB width	10mm
Input voltage	DC 5V/12V/24V/48V
IP rate	IP68
Beam angle	120°
Bend radius	>40mm
Section size(mm)	8 x 18mm
Storage temperature	-20°C~60°C

Product Accessories



LED NEON

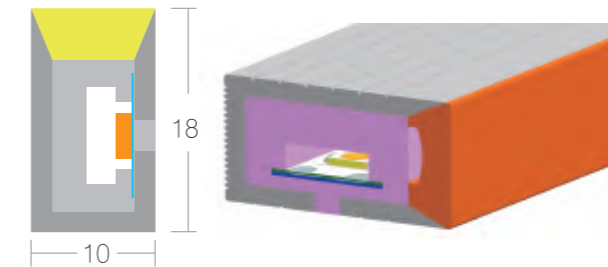
SIDE VIEW SERIES

LN1018FS-10mm



Side Cut Structure

Basic Parameters



PCB width 10mm

Strip length	Max. 50M
PCB width	10mm
Input voltage	DC 5V/12V/24V
IP rate	IP68
Beam angle	120°
Bend radius	>50mm
Section size(mm)	10 x 18mm
Storage temperature	-20°C~60°C

Product Accessories



LED NEON

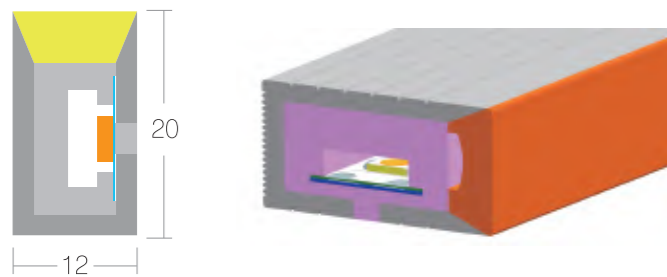
SIDE VIEW SERIES

LN1220FS-10mm



Side Cut Structure

Basic Parameters



PCB width 10mm

Strip length	Max. 50M
PCB width	10mm/12mm
Input voltage	DC 5V/12V/24V/48V
IP rate	IP68
Beam angle	120°
Bend radius	>55mm
Section size(mm)	8 x 18mm
Storage temperature	-20°C~60°C

Product Accessories



LED NEON

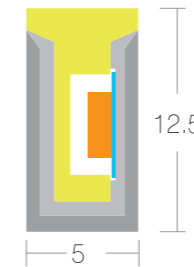
THREE FACE VIEW

LN0512FS-8mm-180°



Side Cut Structure

Basic Parameters



PCB width 8mm

Strip length	Max. 50M
PCB width	8mm
Input voltage	DC 5V/12V/24V
IP rate	IP68
Beam angle	180°
Bend radius	>25mm
Section size(mm)	5 x 12mm
Storage temperature	-20°C~60°C

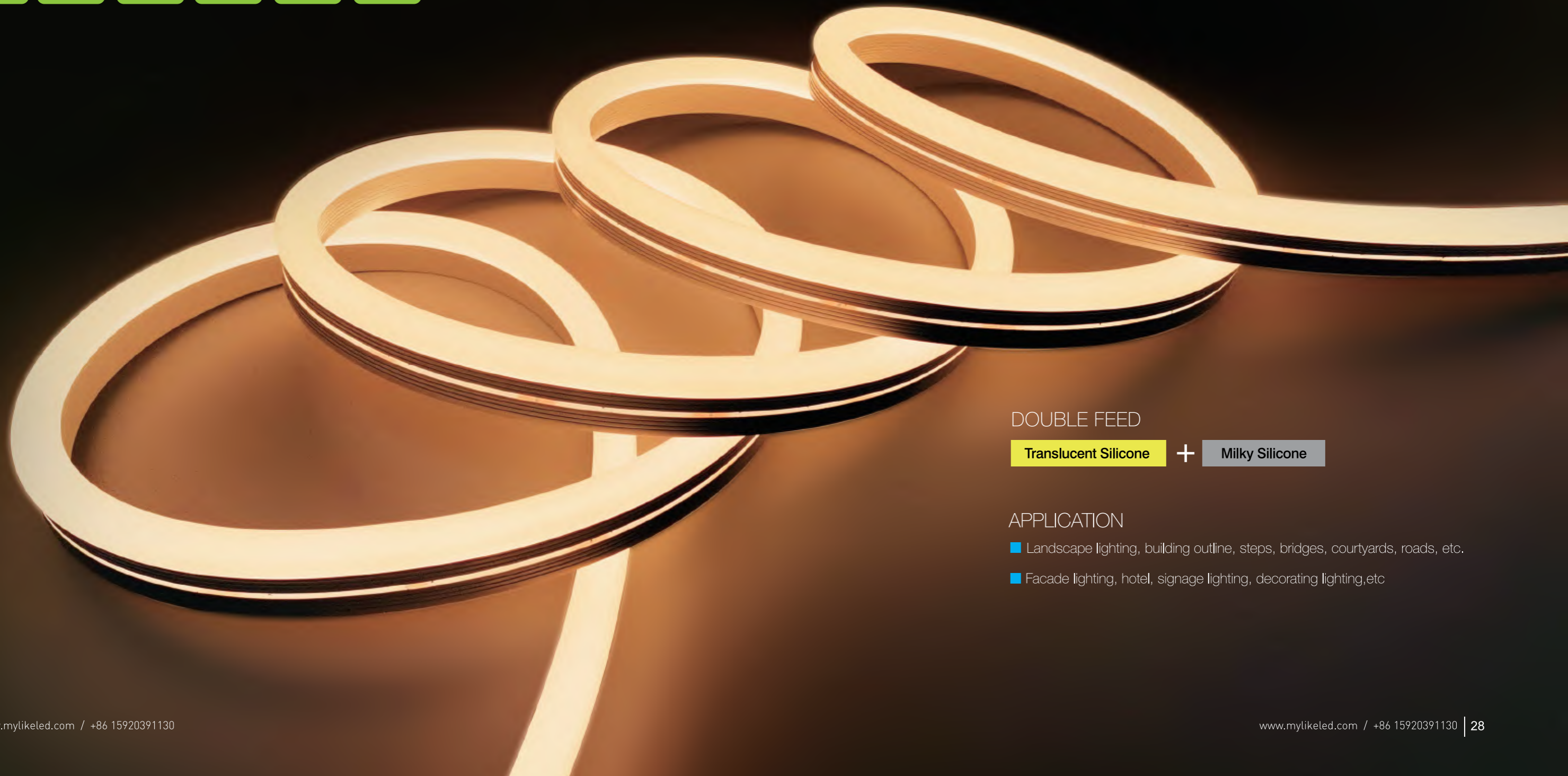
Product Accessories



DOME LIGHTING

LED NEON

MLL & LNLED®



DOUBLE FEED

Translucent Silicone

+

Milky Silicone

APPLICATION

- Landscape lighting, building outline, steps, bridges, courtyards, roads, etc.
- Facade lighting, hotel, signage lighting, decorating lighting, etc

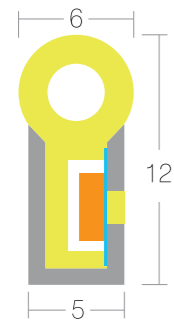
LED NEON

DOME LIGHTING SERIES

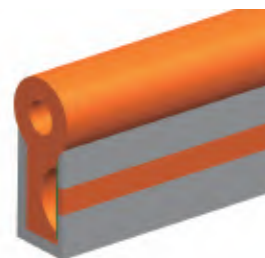
LN0512DS-6mm-270°



Side Cut Structure



PCB width 6mm



Basic Parameters

Strip length	Max. 50M
PCB width	6mm
Input voltage	DC 5V/12V/24V
IP rate	IP67
Beam angle	270°
Bend radius	>25mm
Section size(mm)	5 x 12mm
Storage temperature	-20°C~60°C

Product Accessories



IP67

Dust tight
Protection against temporary immersion

Milky + Translucent Silicone

Bend Radius >25mm

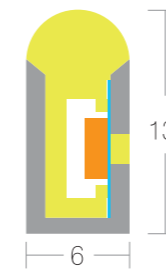
LED NEON

DOME LIGHTING SERIES

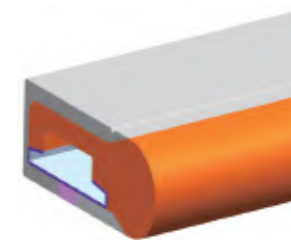
LN0613DS-8mm-180°



Side Cut Structure



PCB width 8mm



Basic Parameters

Strip length	Max. 50M
PCB width	8mm
Input voltage	DC 5V/12V/24V/48V
IP rate	IP67
Beam angle	180°
Bend radius	>30mm
Section size(mm)	6 x 13mm
Storage temperature	-20°C~60°C

Product Accessories



IP67

Dust tight
Protection against temporary immersion

Milky + Translucent Silicone

Bend Radius >30mm

LED NEON

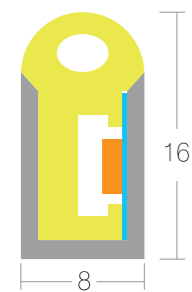
DOME LIGHTING SERIES

LN0816DS-8mm-180°



Side Cut Structure

Basic Parameters



Strip length	Max. 50M
PCB width	8mm
Input voltage	DC 5V/12V/24V/48V
IP rate	IP67
Beam angle	180°
Bend radius	>40mm
Section size(mm)	8 x 16mm
Storage temperature	-20°C~60°C

PCB width 8mm

Product Accessories



IP67

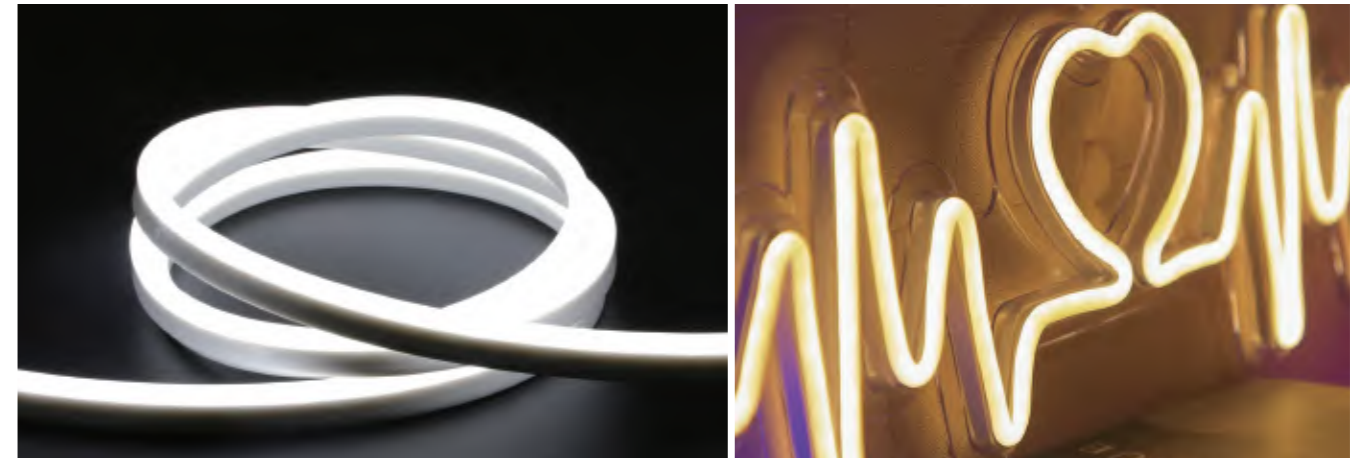
Dust tight
Protection against temporary immersion

Milky + Translucent Silicone

LED NEON

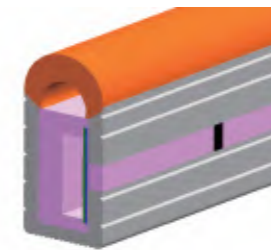
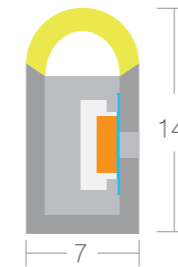
DOME LIGHTING SERIES

LN0714DS-6mm-180°



Side Cut Structure

Basic Parameters



Strip length	Max. 50M
PCB width	6mm
Input voltage	DC 5V/12V/24V
IP rate	IP68
Beam angle	180°
Bend radius	>35mm
Section size(mm)	7 x 14mm
Storage temperature	-20°C~60°C

PCB width 6mm

Product Accessories



IP67

Dust tight
Protection against temporary immersion

Milky + Translucent + Transparent Silicone

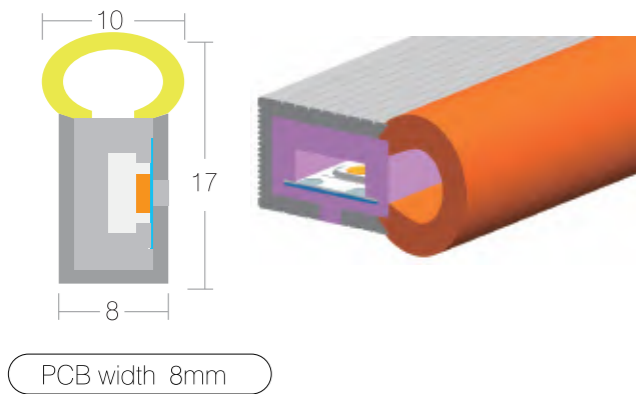
LED NEON

DOME LIGHTING SERIES

LN0817DS-8mm-270°



Side Cut Structure



Basic Parameters

Strip length	Max. 50M
PCB width	8mm
Input voltage	DC 5V/12V/24V/48V
IP rate	IP67
Beam angle	270°
Bend radius	>40mm
Section size(mm)	8 x 17mm
Storage temperature	-20℃~60℃

Product Accessories



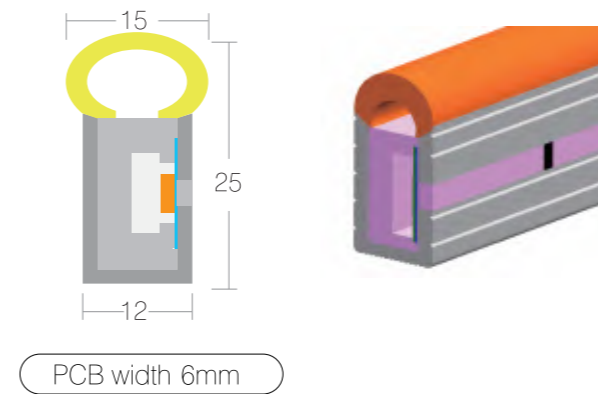
LED NEON

DOME LIGHTING SERIES

LN1225DS-12mm-270°



Side Cut Structure



Basic Parameters

Strip length	Max. 50M
PCB width	12mm
Input voltage	DC 5V/12V/24V
IP rate	IP68
Beam angle	270°
Bend radius	>60mm
Section size(mm)	12 x 25mm
Storage temperature	-20℃~60℃

Product Accessories



LED NEON

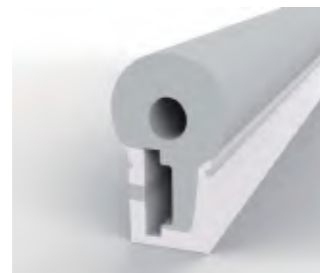
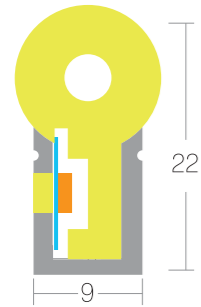
DOME LIGHTING SERIES

LN0922DS-10mm-270°



Side Cut Structure

Basic Parameters



Strip length	Max. 50M
PCB width	10mm
Input voltage	DC 5V/12V/24V/48V
IP rate	IP67
Beam angle	270°
Bend radius	>45mm
Section size(mm)	9 x 22mm
Storage temperature	-20°C~60°C

PCB width 10mm

Product Accessories



IP67

Dust tight
Protection against
temporary immersion

Milky + Translucent Silicone

Bend
Radius >45mm

LED NEON

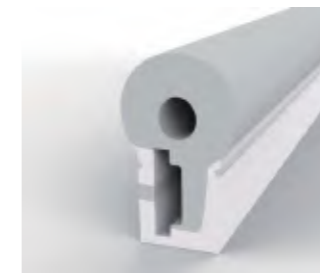
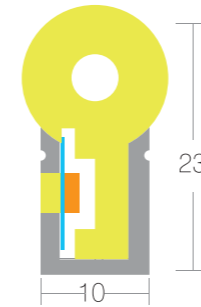
DOME LIGHTING SERIES

LN1023DS-10mm-270°



Side Cut Structure

Basic Parameters



Strip length	Max. 50M
PCB width	10mm
Input voltage	DC 5V/12V/24V/48V
IP rate	IP67
Beam angle	270°
Bend radius	>50mm
Section size(mm)	10 x 23mm
Storage temperature	-20°C~60°C

PCB width 10mm

Product Accessories



IP67

Dust tight
Protection against
temporary immersion




Milky + Translucent Silicone

Bend
Radius >50mm

TOP VIEW

LED NEON

MLL & LNLED®

 UV Resistant	 Flame Resistant	 Environmental Protection
0.35 Thermal Conductivity	-60°C Low temperature resistant	300°C High temperature resistant

DOUBLE FEED

Translucent Silicone + **Milky Silicone**

APPLICATION

Hotels and other entertainment decorated KTV; Route instructions and exterior decorative outline; Festive decorations, activities, venue set, exhibition decoration, hall decoration; Backlit billboards, advertising signs, channel signal signs; Personal DIY home decoration



LED NEON

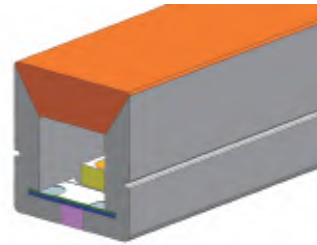
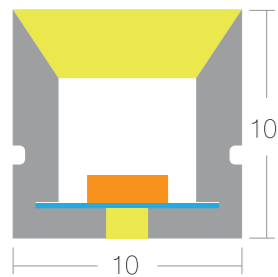
TOP VIEW SERIES

LN1010-6mm



Side Cut Structure

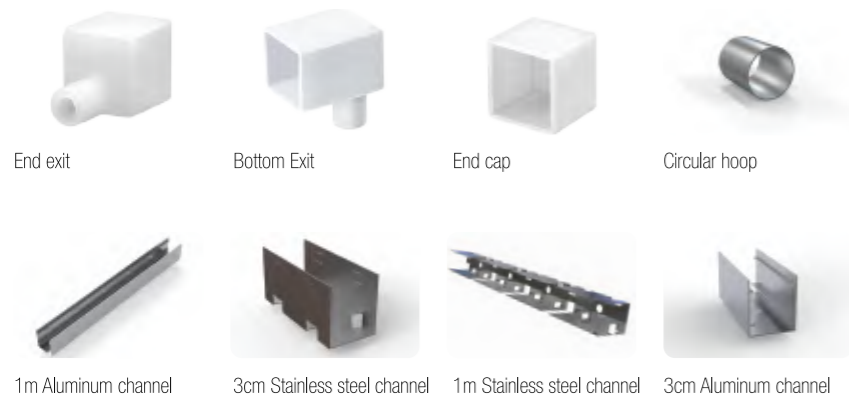
Basic Parameters



Strip length	Max. 50M
PCB width	5/6mm
Input voltage	DC 5V/12V/24V/48V
IP rate	IP67
Beam angle	120°
Bend radius	>60mm
Section size(mm)	10 x 10mm
Storage temperature	-20°C~60°C

PCB width 5/6mm

Product Accessories



IP67

Dust tight
Protection against temporary immersion

Milky + Translucent Silicone

Bend Radius >60mm

LED NEON

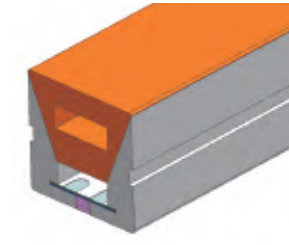
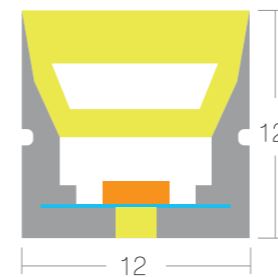
TOP VIEW SERIES

LN1212-10mm



Side Cut Structure

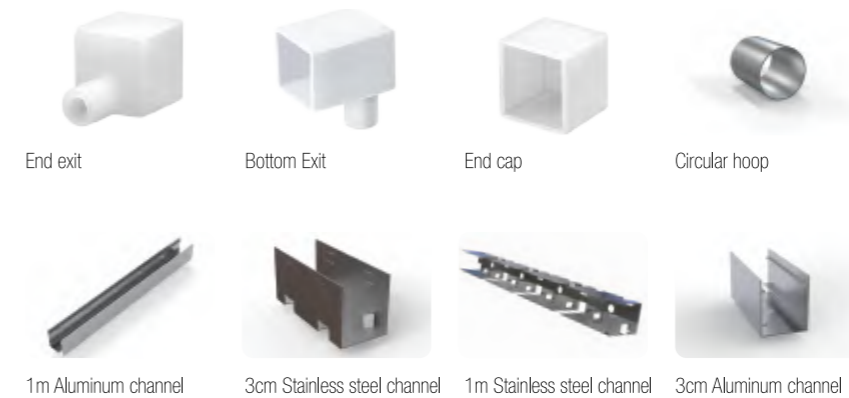
Basic Parameters



Strip length	Max. 50M
PCB width	8/10mm
Input voltage	DC 5V/12V/24V/48V
IP rate	IP67
Beam angle	120°
Bend radius	>65mm
Section size(mm)	12 x 12mm
Storage temperature	-20°C~60°C

PCB width 8/10mm

Product Accessories



IP67

Dust tight
Protection against temporary immersion

Milky + Translucent Silicone

Bend Radius >65mm

LED NEON

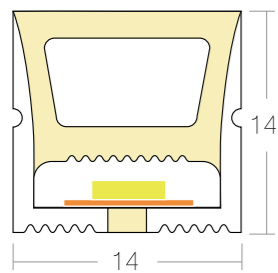
TOP VIEW SERIES

LN1414-10mm



Side Cut Structure





Basic Parameters

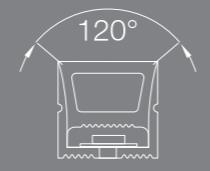


Strip length	Max. 50M
PCB width	10mm
Input voltage	DC 5V/12V/24V/48V
IP rate	IP67
Beam angle	120°
Bend radius	>72mm
Section size(mm)	14 x 14mm
Storage temperature	-20°C~60°C

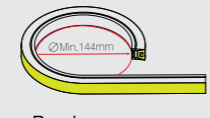
PCB width 10mm

Product Accessories



IP67
Dust tight
Protection against temporary immersion



Bend Radius >72mm

Milky + Translucent Silicone

1m Aluminum channel

3cm Stainless steel channel

1m Stainless steel channel

3cm Aluminum channel

LED NEON

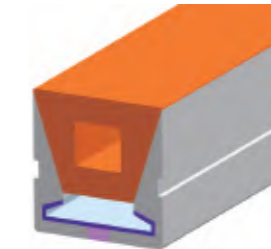
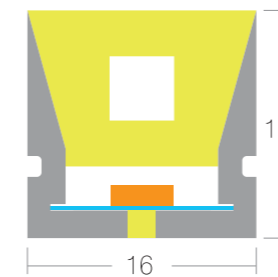
TOP VIEW SERIES

LN1616-12mm



Side Cut Structure





Basic Parameters

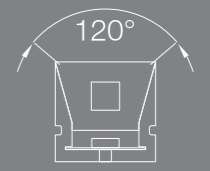


Strip length	Max. 50M
PCB width	12mm
Input voltage	DC 5V/12V/24V/48V
IP rate	IP67
Beam angle	120°
Bend radius	>80mm
Section size(mm)	16 x 16mm
Storage temperature	-20°C~60°C

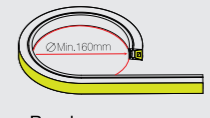
PCB width 12mm

Product Accessories



IP67
Dust tight
Protection against temporary immersion



Bend Radius >80mm

Milky + Translucent Silicone

1m Aluminum channel

3cm Stainless steel channel

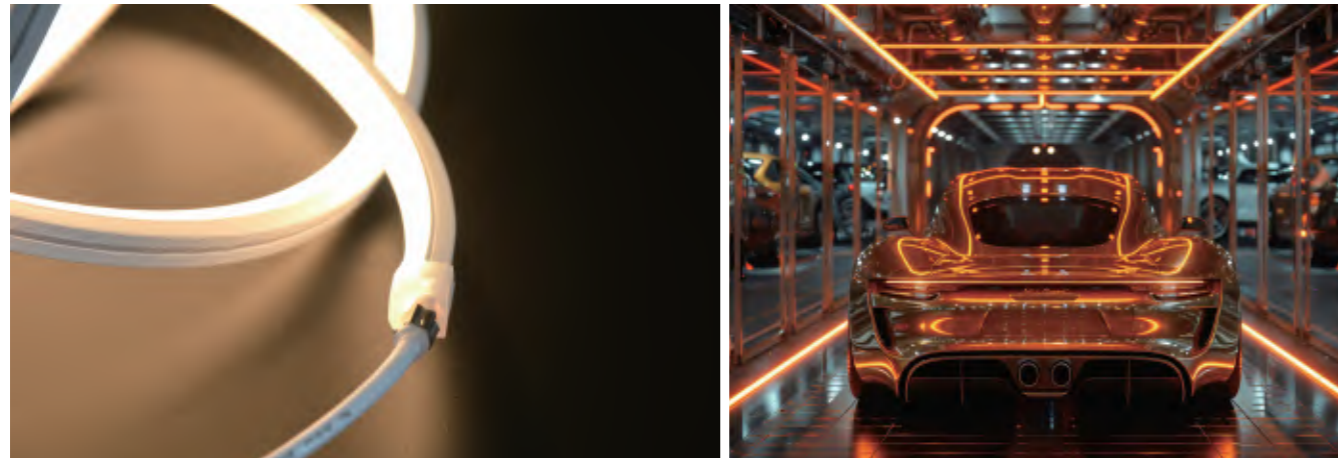
1m Stainless steel channel

3cm Aluminum channel

LED NEON

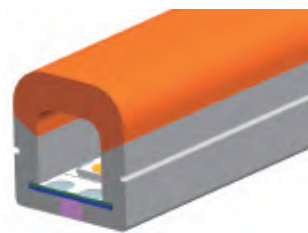
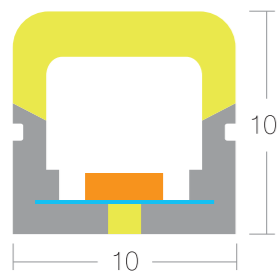
THREE FACE VIEW

LN1010-6mm-180°



Side Cut Structure





Basic Parameters

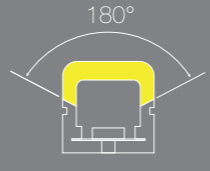


Strip length	Max. 50M
PCB width	6/8mm
Input voltage	DC 5V/12V/24V/48V
IP rate	IP67
Beam angle	180°
Bend radius	>60mm
Section size(mm)	10 x 10mm
Storage temperature	-20°C~60°C





PCB width 6/8mm

Product Accessories



IP67
Dust tight
Protection against temporary immersion

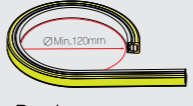





1m Aluminum channel

3cm Stainless steel channel

1m Stainless steel channel

3cm Aluminum channel



Bend Radius >60mm

Milky + Translucent Silicone

LED NEON

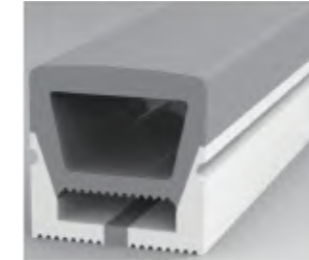
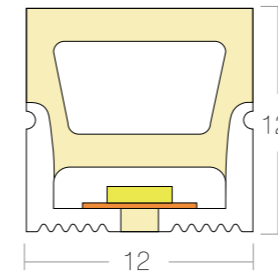
THREE FACE VIEW

LN1212-8mm-180°



Side Cut Structure





Basic Parameters

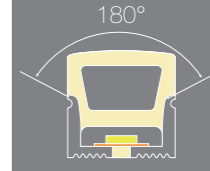


Strip length	Max. 50M
PCB width	8mm
Input voltage	DC 5V/12V/24V/48V
IP rate	IP67
Beam angle	180°
Bend radius	>85mm
Section size(mm)	12 x 12mm
Storage temperature	-20°C~60°C





PCB width 8mm

Product Accessories



IP67
Dust tight
Protection against temporary immersion

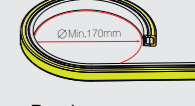





1m Aluminum channel

3cm Stainless steel channel

1m Stainless steel channel

3cm Aluminum channel









Bend Radius >85mm

Milky + Translucent Silicone

TOP VIEW

LED NEON

MLL & LNLED®

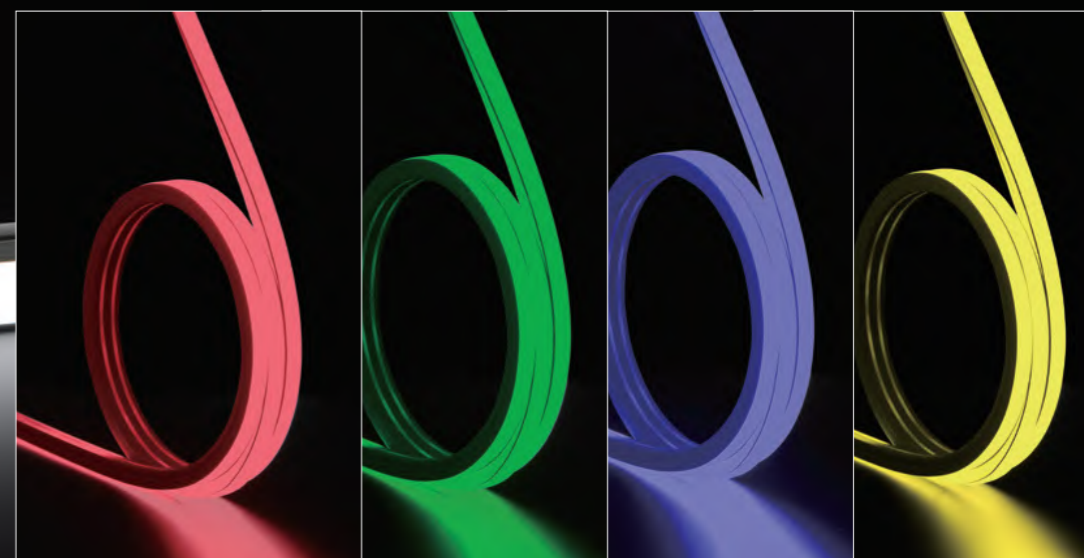
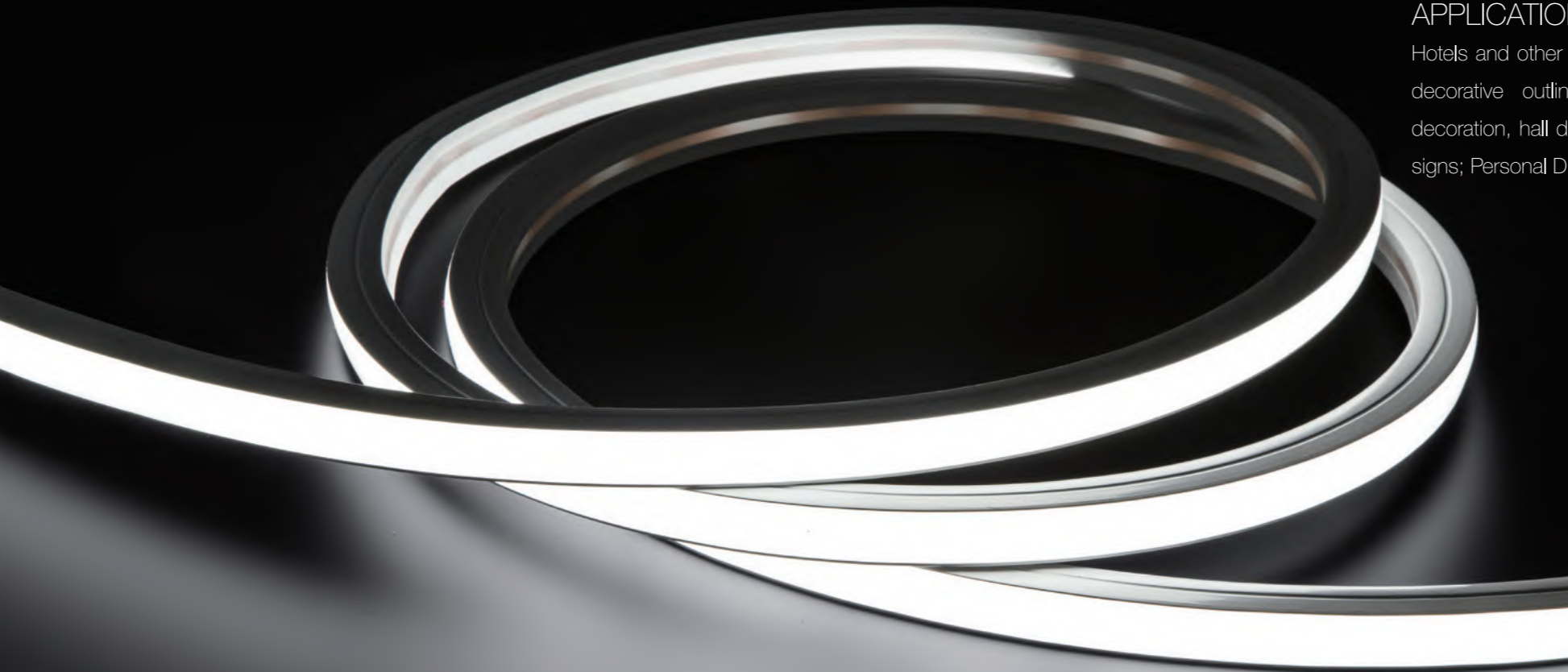
 <p>UV Resistant</p>	 <p>Flame Resistant</p>	 <p>Environmental Protection</p>
 <p>0.35 Thermal Conductivity</p>	 <p>-60°C Low temperature resistant</p>	 <p>300°C High temperature resistant</p>

THREE FEED

Translucent Silicone + Milky Silicone + Transparent Silicone

APPLICATION

Hotels and other entertainment decorated KTV; Route instructions and exterior decorative outline; Festive decorations, activities, venue set, exhibition decoration, hall decoration; Backlit billboards, advertising signs, channel signal signs; Personal DIY home decoration



LED NEON

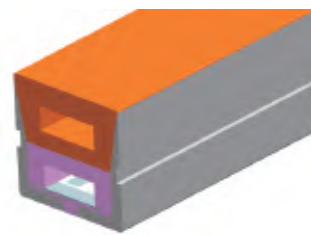
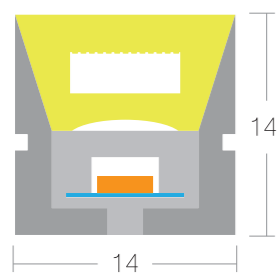
TOP VIEW SERIES

LN1414F-8mm



Side Cut Structure

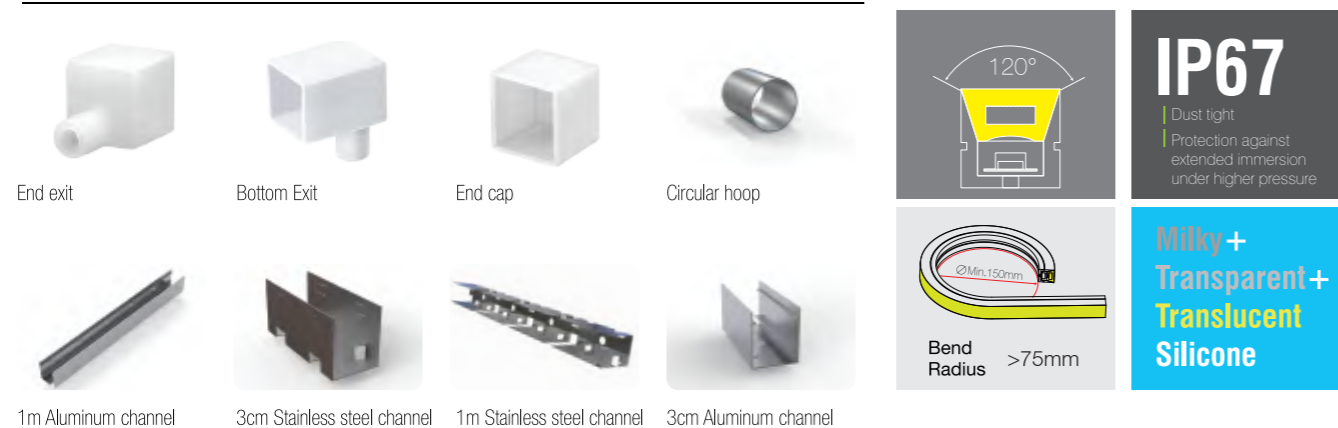
Basic Parameters



Strip length	Max. 50M
PCB width	8mm
Input voltage	DC 5V/12V/24V/48V
IP rate	IP68
Beam angle	120°
Bend radius	>75mm
Section size(mm)	14 x 14mm
Storage temperature	-20°C ~ -60°C

PCB width 8mm

Product Accessories



LED NEON

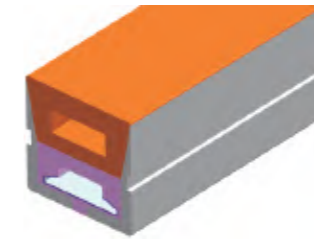
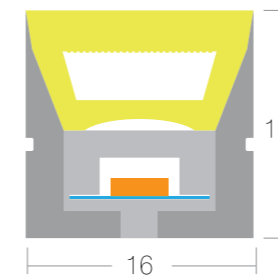
TOP VIEW SERIES

LN1616F-10mm



Side Cut Structure

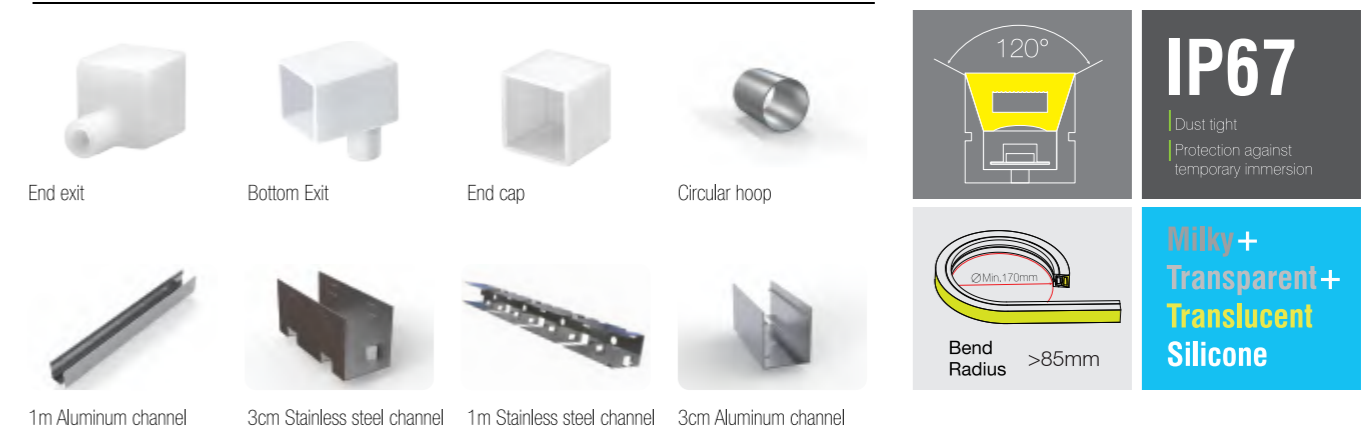
Basic Parameters



Strip length	Max. 50M
PCB width	10mm
Input voltage	DC 5V/12V/24V/48V
IP rate	IP68
Beam angle	120°
Bend radius	>85mm
Section size(mm)	16 x 16mm
Storage temperature	-20°C ~ -60°C

PCB width 10mm

Product Accessories



LED NEON

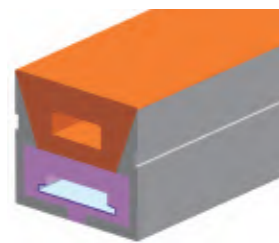
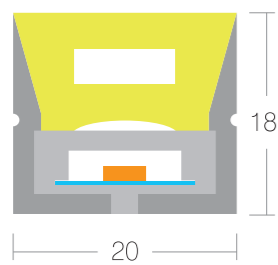
TOP VIEW SERIES

LN2018F-12mm



Side Cut Structure

Basic Parameters



Strip length	Max. 50M
PCB width	12mm
Input voltage	DC 5V/12V/24V/48V
IP rate	IP68
Beam angle	120°
Bend radius	>100mm
Section size(mm)	20 x 18mm
Storage temperature	-20°C ~ -60°C

PCB width 12mm

Product Accessories

End exit

Bottom Exit

End cap

Circular hoop

120°

IP67

Dust tight
Protection against extended immersion under higher pressure

Bend Radius >100mm

Milky + Transparent + Translucent Silicone

1m Aluminum channel

3cm Stainless steel channel

1m Stainless steel channel

3cm Aluminum channel

LED NEON

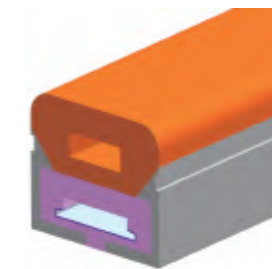
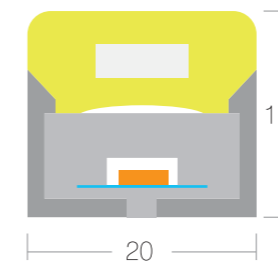
THREE FACE VIEW

LN2018-12mm-180°



Side Cut Structure

Basic Parameters



Strip length	Max. 50M
PCB width	12mm
Input voltage	DC 5V/12V/24V/48V
IP rate	IP68
Beam angle	180°
Bend radius	>100mm
Section size(mm)	20 x 18mm
Storage temperature	-20°C ~ -60°C

PCB width 10mm

Product Accessories

End exit

Bottom Exit

End cap

Circular hoop

180°

IP67

Dust tight
Protection against temporary immersion

Bend Radius >100mm

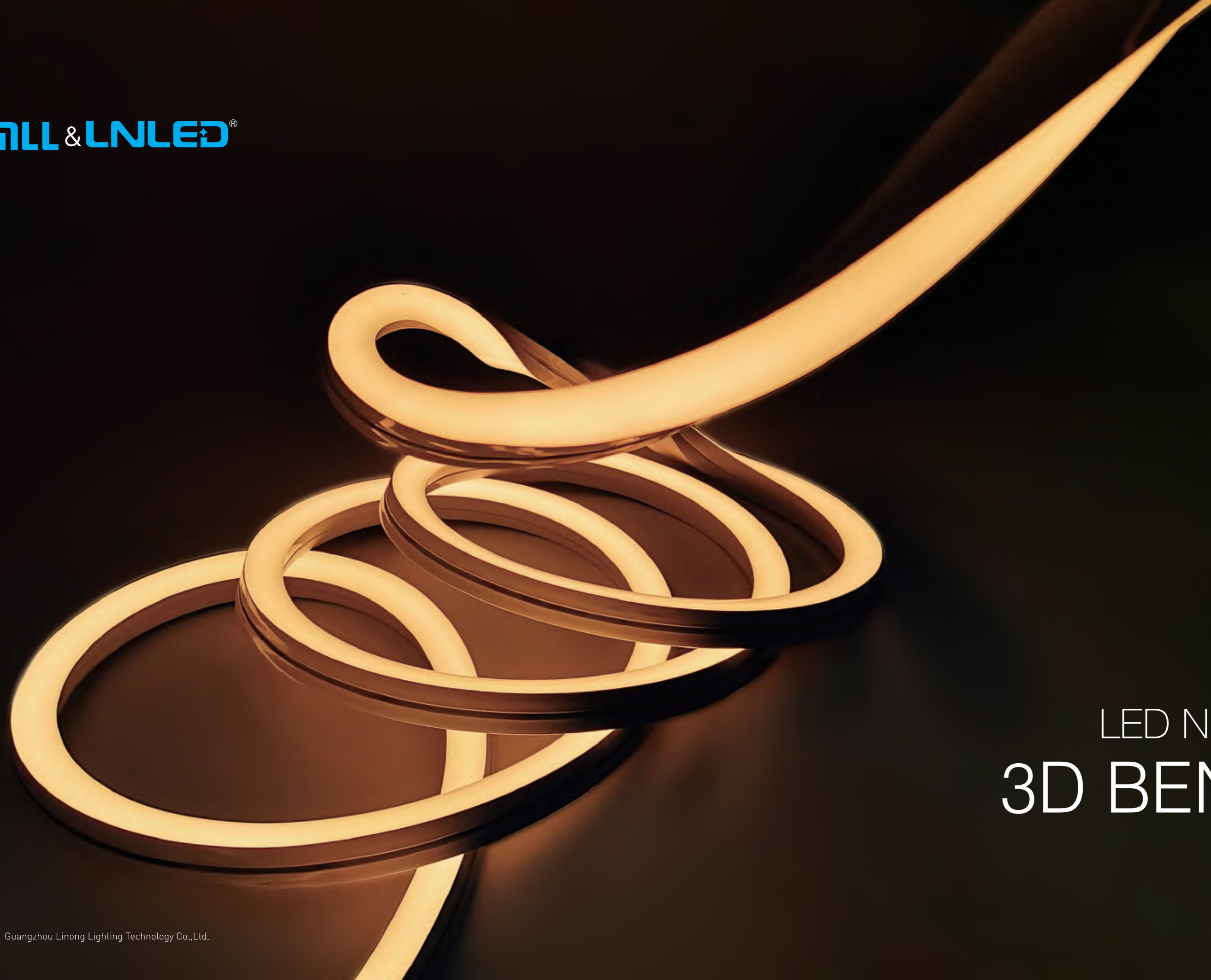
Milky + Transparent + Translucent Silicone

1m Aluminum channel

3cm Stainless steel channel

1m Stainless steel channel

3cm Aluminum channel



LED NEON
3D BEND

LED NEON

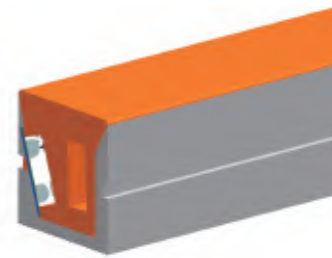
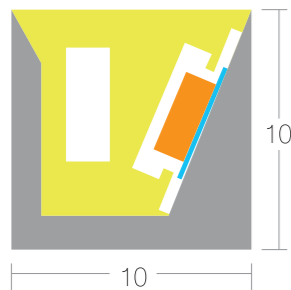
3D BEND SERIES

LN1010T-3D-8mm



Side Cut Structure

Basic Parameters



Strip length	Max. 50M
PCB width	8mm
Input voltage	DC 5V/12V/24V/48V
IP rate	IP67
Beam angle	120°
Bend radius	>50mm
Section size(mm)	10 x 10mm
Storage temperature	-20℃~60℃

PCB width 8mm

Product Accessories



120°

IP67

Dust tight
Protection against temporary immersion

Bend Radius >50mm

Milky + Translucent Silicone

LED NEON

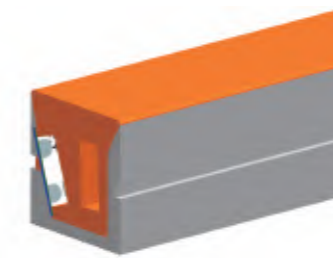
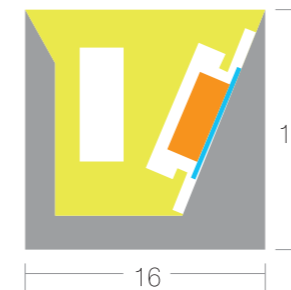
3D BEND SERIES

LN1616T-3D-10mm



Side Cut Structure

Basic Parameters



Strip length	Max. 50M
PCB width	10mm
Input voltage	DC 5V/12V/24V/48V
IP rate	IP67
Beam angle	120°
Bend radius	>75mm
Section size(mm)	16 x 16mm
Storage temperature	-20℃~60℃

PCB width 8mm

Product Accessories



120°

IP67

Dust tight
Protection against temporary immersion

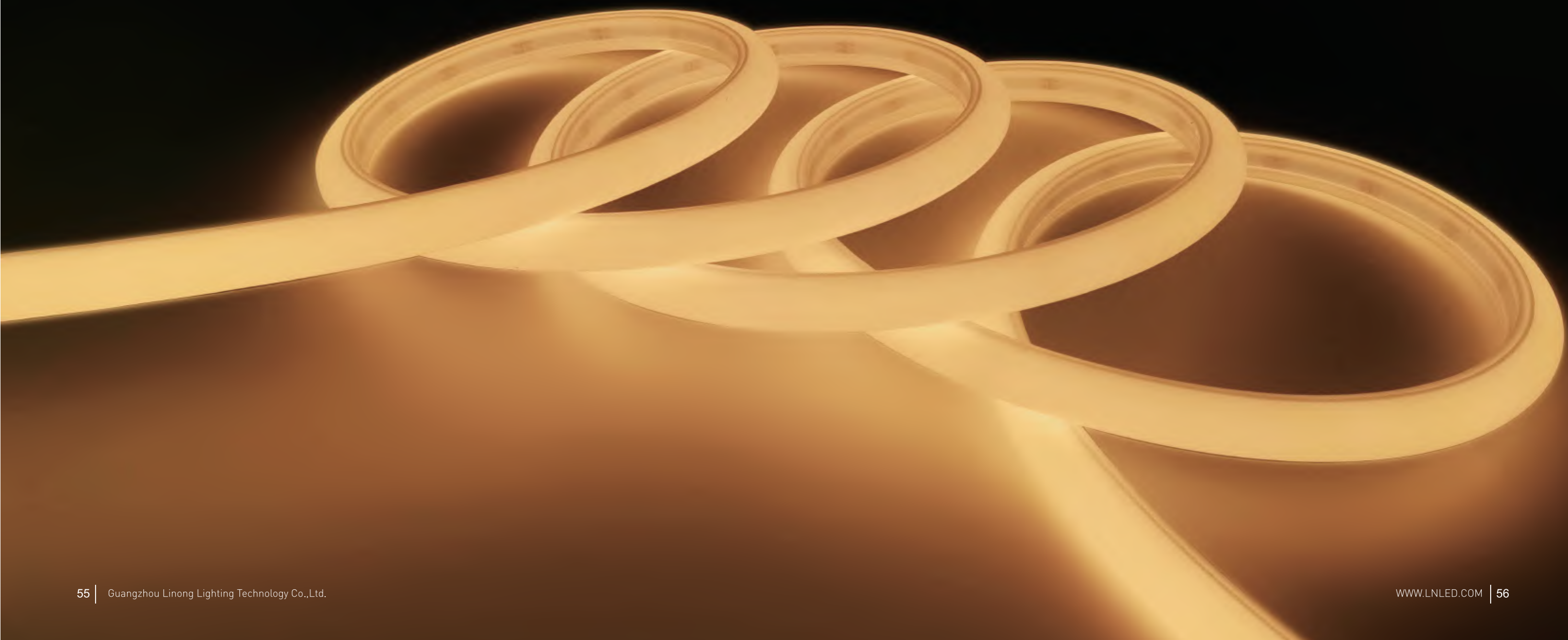
Bend Radius >75mm

Milky + Translucent Silicone

270° FULL VIEW

LED NEON

MLL & LNLED®



LED NEON

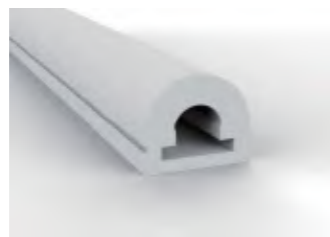
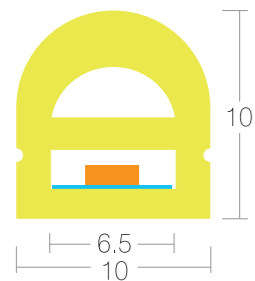
270° FULL VIEW

LN1010DT-5mm-270°



Side Cut Structure

Basic Parameters



Strip length	Max. 50M
PCB width	5mm
Input voltage	DC 5V/12V/24V
IP rate	IP67
Beam angle	270°
Bend radius	>50mm
Section size(mm)	10 x 10mm
Storage temperature	-20°C ~ -60°C

PCB width 5mm

Product Accessories



270°

IP67

Dust tight
Protection against temporary immersion

Bend Radius >50mm

Milky Silicone

LED NEON

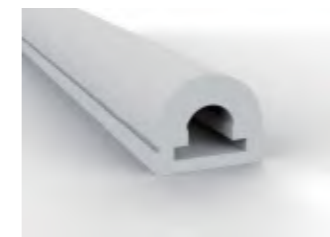
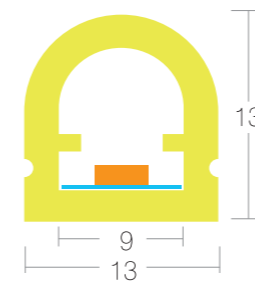
270° FULL VIEW

LN1313DT-8mm-270°



Side Cut Structure

Basic Parameters



Strip length	Max. 50M
PCB width	8mm
Input voltage	DC 5V/12V/24V/48V
IP rate	IP67
Beam angle	270°
Bend radius	>65mm
Section size(mm)	13 x 13mm
Storage temperature	-20°C ~ -60°C

PCB width 8mm

Product Accessories



270°

IP67

Dust tight
Protection against temporary immersion

Bend Radius >65mm

Milky Silicone

LED NEON

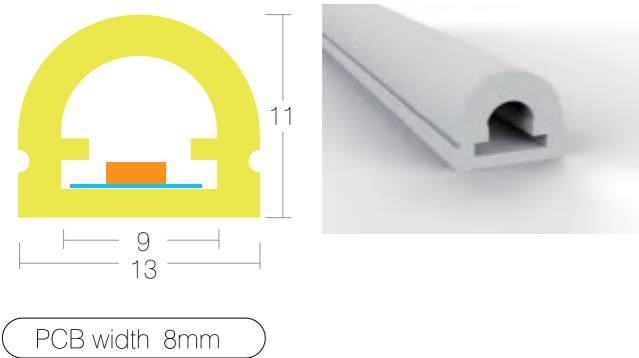
270° FULL VIEW

LN1311DT-8mm-270°



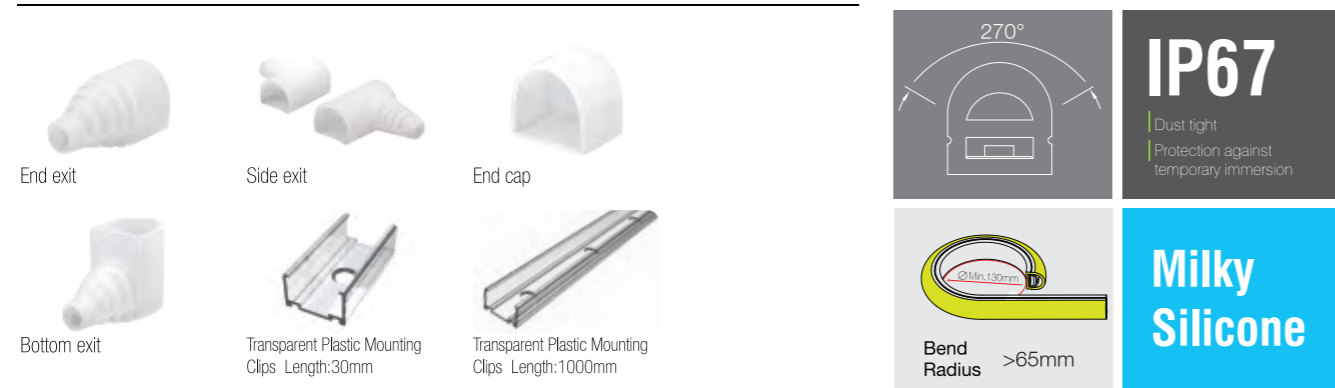
Side Cut Structure

Basic Parameters



Strip length	Max. 50M
PCB width	8mm
Input voltage	DC 5V/12V/24V/48V
IP rate	IP67
Beam angle	270°
Bend radius	>65mm
Section size(mm)	13 x 11mm
Storage temperature	-20°C~60°C

Product Accessories



LED NEON

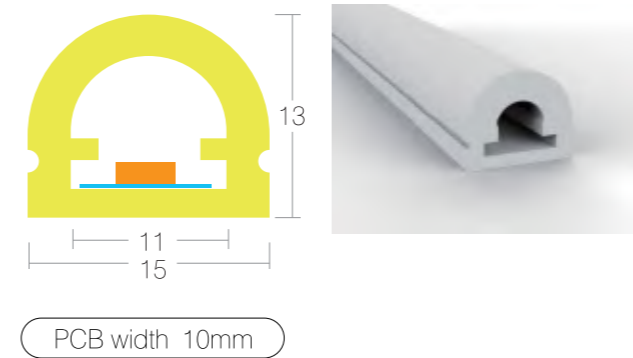
270° FULL VIEW

LN1513DT-10mm-270°



Side Cut Structure

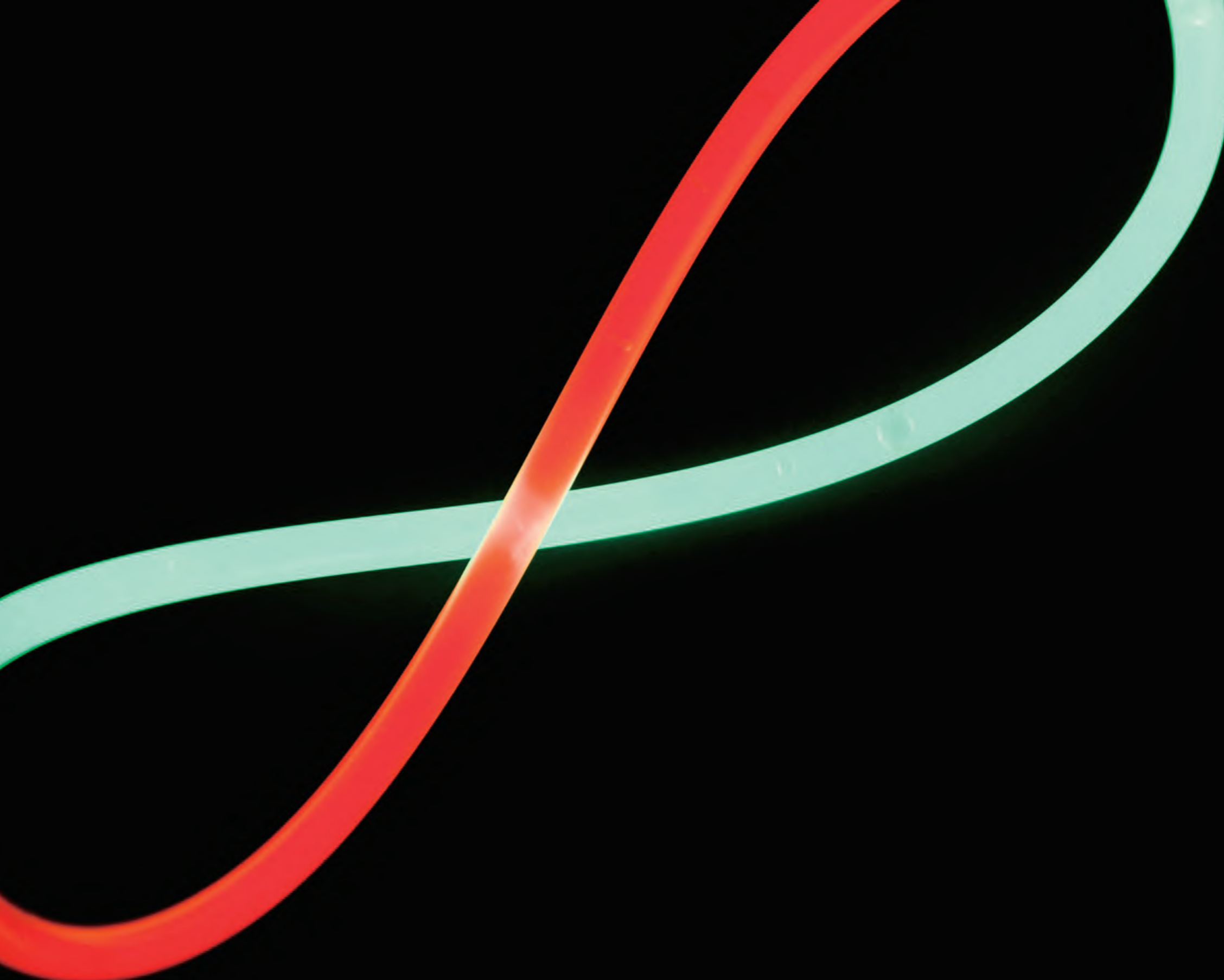
Basic Parameters



Strip length	Max. 50M
PCB width	10mm
Input voltage	DC 5V/12V/24V/48V
IP rate	IP67
Beam angle	270°
Bend radius	>75mm
Section size(mm)	15 x 13mm
Storage temperature	-20°C~60°C

Product Accessories





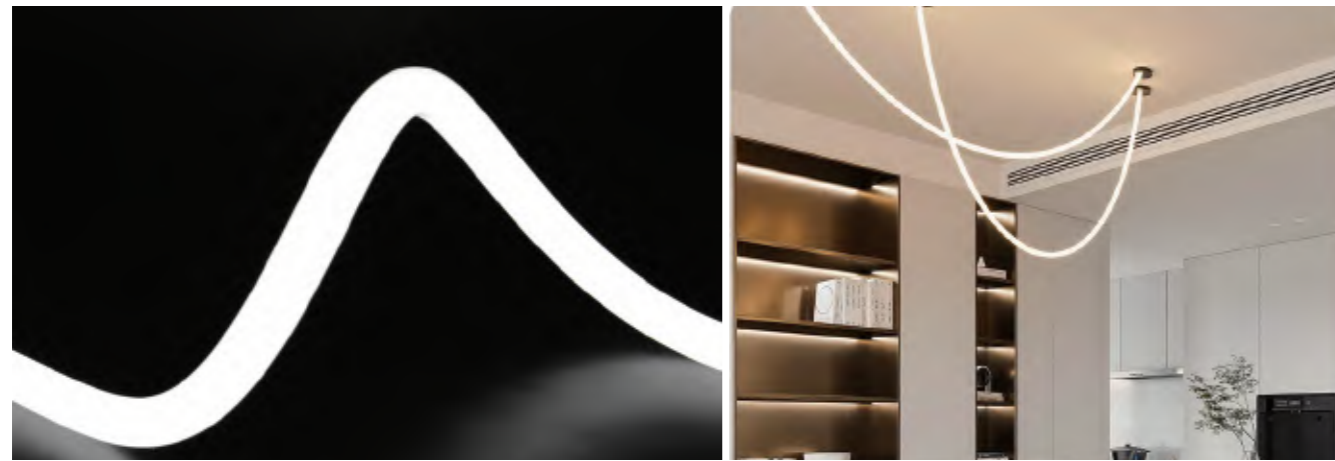
MAGIC 360

LED NEON

LED NEON

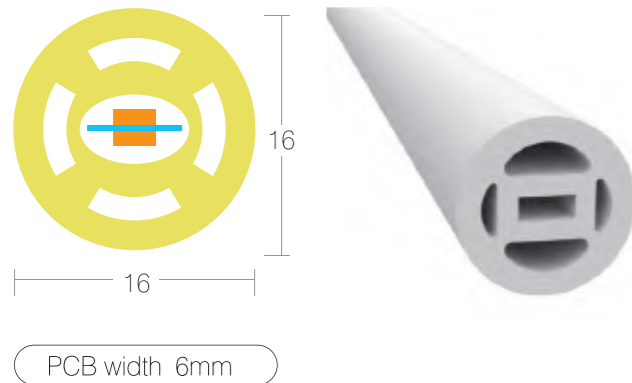
MAGIC 360 SERIES

LNC16-360°-6mm



Side Cut Structure

Basic Parameters



Strip length	Max. 50M
PCB width	6mm
Input voltage	DC 5V/12V/24V
IP rate	IP67
Beam angle	360°
Bend radius	>50mm
Section size(mm)	Φ 16mm
Storage temperature	-20 C ~60 C

Product Accessories

360°

IP66
Dust tight
Protection against temporary immersion

Bend Radius >50mm

Milky Silicone

LED NEON

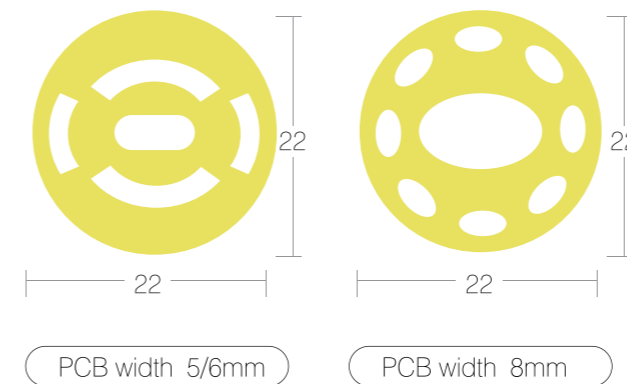
MAGIC 360 SERIES

LNC22-360°-8mm



Side Cut Structure

Basic Parameters



Strip length	Max. 50M
PCB width	5/6/8mm
Input voltage	DC 5V/12V/24V/48V
IP rate	IP67
Beam angle	360°
Bend radius	>60mm
Section size(mm)	Φ 22mm
Storage temperature	-20 C ~60 C

Product Accessories

360°

IP66
Dust tight
Protection against temporary immersion

Bend Radius >60mm

Milky Silicone

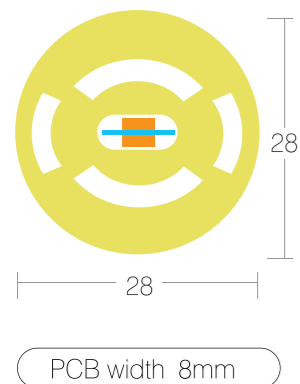
LED NEON

MAGIC 360 SERIES

LNC28-360°-8mm



Side Cut Structure



Basic Parameters

Strip length	Max. 50M
PCB width	8mm
Input voltage	DC 5V/12V/24V/48V
IP rate	IP67
Beam angle	360°
Bend radius	>130mm
Section size(mm)	Φ28mm
Storage temperature	-20 C ~60 C

Product Accessories



360°

IP66

Dust tight
Protection against
temporary immersion

Bend
Radius >130mm

**Milky
Silicone**

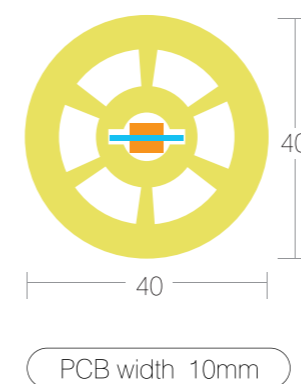
LED NEON

MAGIC 360 SERIES

LNC40-360°-10mm



Side Cut Structure



Basic Parameters

Strip length	Max. 50M
PCB width	10mm
Input voltage	DC 5V/12V/24V/48V
IP rate	IP67
Beam angle	360°
Bend radius	>180mm
Section size(mm)	Φ38mm
Storage temperature	-20 C ~60 C

Product Accessories



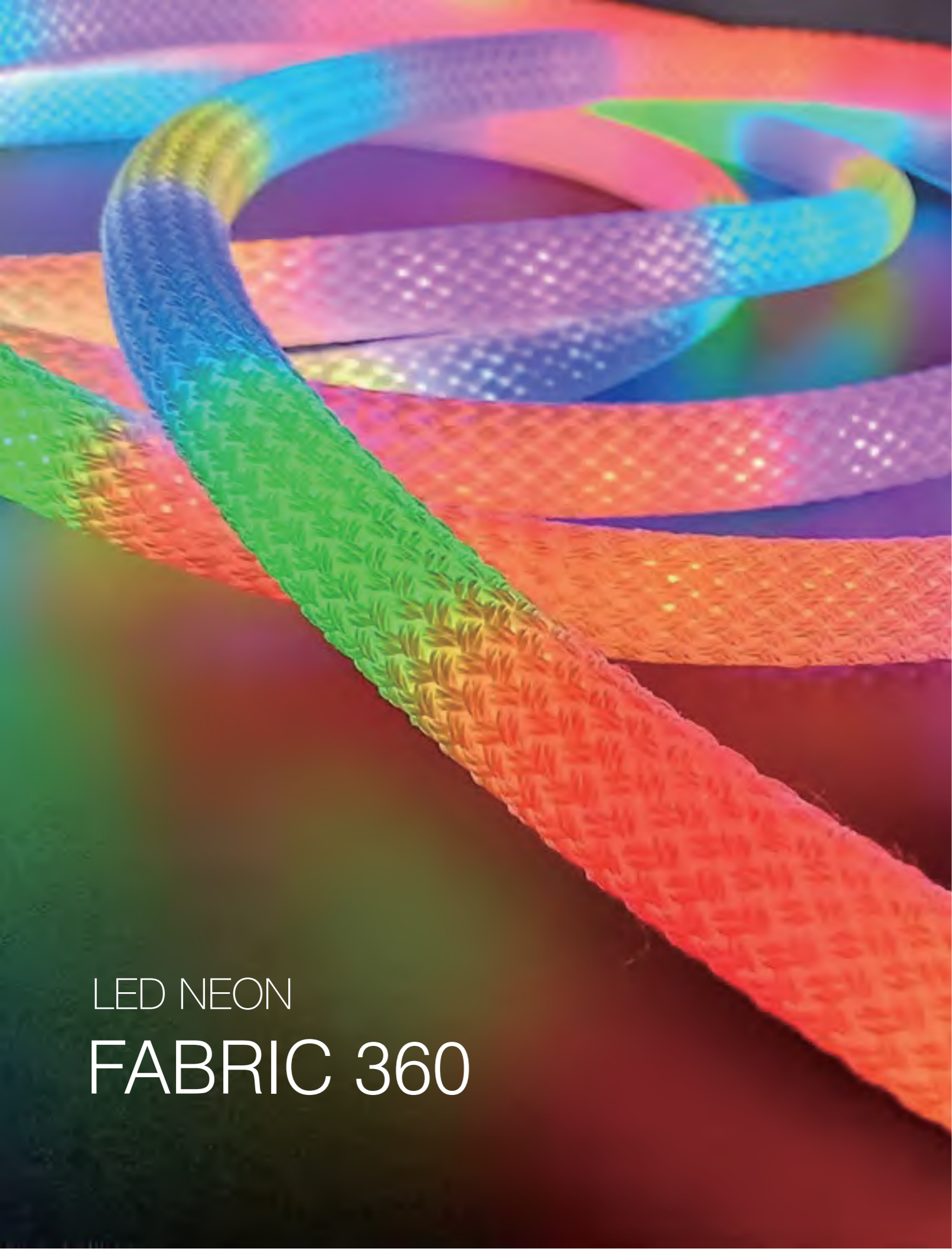
360°

IP66

Dust tight
Protection against
temporary immersion

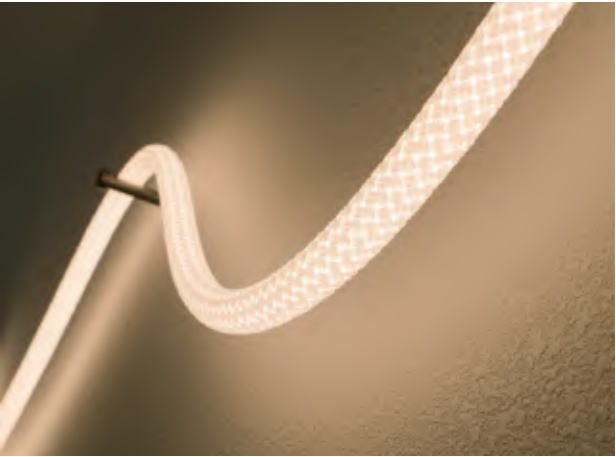
Bend
Radius >180mm

**Milky
Silicone**



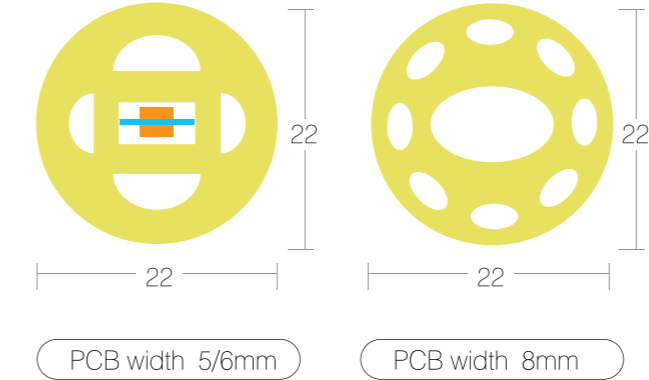
LED NEON
FABRIC 360

LNFC22-360°-8mm



Side Cut Structure

Basic Parameters



Strip length	Max. 50M
PCB width	5/6/8mm
Input voltage	DC 5V/12V/24V/48V
IP rate	IP67
Beam angle	360°
Bend radius	>60mm
Section size(mm)	Φ 22mm
Storage temperature	-20 °C ~60 °C

Product Accessories



360°

IP66

Dust tight
Protection against temporary immersion

Bend Radius >60mm

Milky Silicone

LED NEON
FABRIC 360



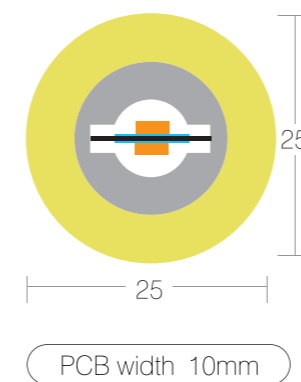
LED NEON POSE-ABLE 360

LED NEON POSE-ABLE 360

LNFC25-360°-10mm



Side Cut Structure



Basic Parameters

Strip length	Max. 50M
PCB width	10mm
Input voltage	DC 5V/12V/24V/48V
IP rate	IP67
Beam angle	360°
Bend radius	>50mm
Section size(mm)	Φ25mm
Storage temperature	-20°C ~60°C

Product Accessories-1



360°

IP66

Dust tight
Protection against
temporary immersion

Bend
Radius
>50mm

**Milky
Silicone**

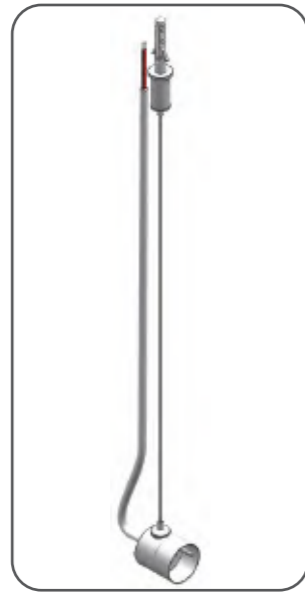
Product Accessories-2

POSE-ABLE 360

LNFC25-360°-10mm



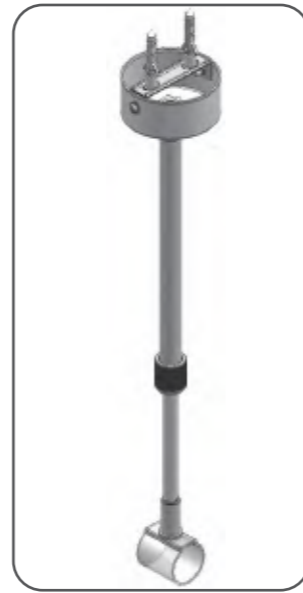
Horizontal suspension of base telescopic rod



Horizontal suspension with suspension wire



Suspension wire fixing parts



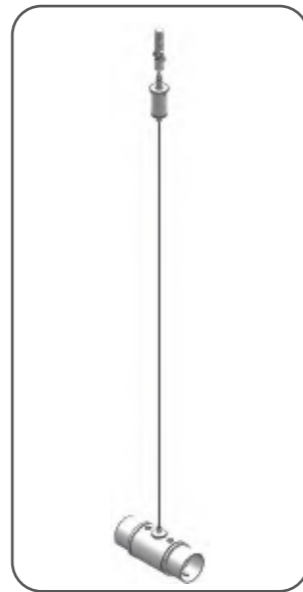
Telescopic rod fixing parts



Telescopic rod link transparent



Telescopic rod link hardware



Suspension link hardware



Vertical lifting component of telescopic rod